

Specialized in providing
acoustical solutions and
production of acoustic materials.





PET bottle
Common plastic drinks bottle



Sort PET bottles from other types of bottles



Separate out different coloured bottles with machines using light scanners and air jets



Crush the bottles into small bits called 'flakes'



Wash the small flakes to clean the plastic and remove labels and start separating lighter plastics from heavier ones, like bottle tops



Air dry the flakes to help separate labels and any remaining heavier pieces of plastic.



Separate out clear, white flakes from coloured ones using more light scanners and air jets



Collect only the clear, white plastic all together with more air jets and scanners



Heat the flakes and push through small holes in a plate, like spaghetti. Cool it and cut it into pellets called 'granules'



Heat the granules again and push them through even smaller holes in a plate to make a fine fiber (recycled polyester)



Polyester Fiber Acoustic Panel
Use the fiber to make Kingkus panels by fluffing, stretching, weaving, needling, heating and cutting.



ENVIRONMENTAL COMMITMENT

Kingkus has long been undertaking the responsibility of protecting the environment. Each year, Kingkus will try to achieve higher standards of environmental protection and sustainability through evaluations of materials, process and the ecological impact of products.



Kingkus started construction & real estate business from 1997, it's one of the largest building and decor materials suppliers based in central China. Kingkus entered the polyester fiber acoustic panel industry in 2010, since then it gradually plays an important role in PET acoustic products markets based on its particular polyester fiber material supply chain, unique attractive design and consistently high-quality production maintenance.

CONTENT

KINGKUS ACOUSTIC SOLUTIONS	03-04
KINGKUS CERTIFICATE	03
KINGKUS ACOUSTIC SOLUTIONS	04
POLYESTER FIBER ACOUSTIC PANEL	05-10
9MM 12MM AND 24MM STANDARD PANEL	07-08
FLAME RETARDANT PANEL	09
POLISHED PANEL	10
CUSTOMIZED PANEL	10
POLYESTER FIBER ACOUSTIC FELT	11-12
FELT PANEL COMPOSITION	13-14
CARVED FEATURED ACOUSTIC PANEL	15-22
HOLLOW-OUT PANEL	17-20
V-GROOVED PANEL	21-22
PRINTING WALL COVERING	23-24
3D POLYESTER FIBER ACOUSTIC PANEL	25-30
3D PANEL TILE	27-28
3D FELT TILE	29-30
ACOUSTIC FURNITURE	31-38
EMBOSSED DESK DIVIDER	33-34
ENGRAVING DESK DIVIDER	35-36
WORKSTATION	37-38
KUSDESIGN APPLICATION	39-52
KUSWAVES ACOUSTIC PANEL	41-42
KUSTAR ACOUSTIC CEILING	43
KUSCLOUD ACOUSTIC CEILING	44
KUSWAFFLE ACOUSTIC CEILING	45
KUSBAFFLE ACOUSTIC CEILING	46
TECHCEILING ACOUSTIC CEILING	47
KUSWALL ACOUSTIC WALL BAFFLE	48
KUSLIGHTING	49-50
KUSDIVIDER STANDING ACOUSTIC DIVIDER	51
KUSRUSTIC SLATS ACOUSTIC PANEL	52
INSTALLATION	53-56

CERTIFICATION

E0 STANDARD



E0 Standard shows that the materials meet the requirements of EN717-1:2004 standards which are free of formaldehyde and environment friendly.

ACOUSTIC



NRC reaches more than 0.8 based on 200mm air gap.

FLAME RETARDANT



ASTM E-84 Class A



EN 13501-1:2007+A1:2009 B

Kingkus permanent flame-retardant polyester fiber acoustic panels have passed ASTM E84-2018 Class A and EN 13501-1:2007+A1:2009 Class B.



Kingkus acoustic solutions are based on Kingkus polyester fiber acoustic panels, they are manufactured from 100% polyester fiber, and contains a minimum of 75% post-consumer recycled material (PET bottle-flake), reducing internal and external sound influences and adding a vibrant feature to your environment. With a mission to improve wellbeing happy and healthy living and work spaces around the world, Kingkus continues to provide original acoustic solutions and furnishings to meet the needs of the modern workplace.

PRODUCT CHARACTERISTICS

-  ACOUSTIC
-  RECYCLE
-  PRINTABLE
-  TACKABLE
-  THERMAL INSULATION
-  VENTILATE
-  LIGHT WEIGHT
-  DECORATIVE
-  FIRE-RATED
-  IMPACT RESISTANCE
-  EASY INSTALLATION
-  NON TOXIN



POLYESTER FIBER ACOUSTIC PANEL

Kingkus polyester fiber acoustic panel is 100% made from recycled PET which mainly comes from drinking bottles. It has comparatively low embodied energy and does not contain chemical binders including formaldehyde and supports safer indoor air quality.

With the great acoustic performance and solid color throughout, Kingkus polyester fiber acoustic panel becomes the market leader in controlling reverberated noise when it comes out, and is widely used in a large array of spatial design and interior solutions.



POLYESTER FIBER ACOUSTIC PANEL

9MM 12MM AND 24MM STANDARD PANEL



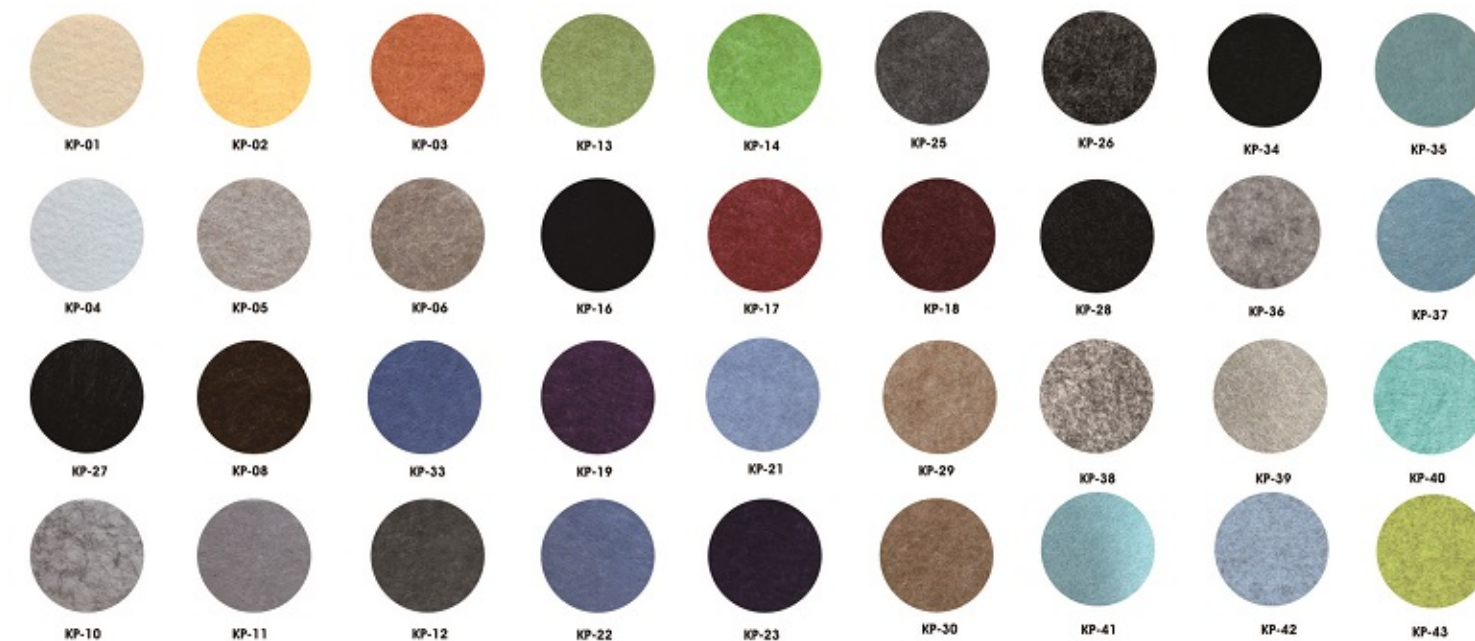
Brief introduction

Kingkus polyester fiber acoustic panel has sound absorbing, non-toxic, non-allergenic and non-irritant characteristics. It is good choice for managing echo and creating a durable interior solution. More than 37 colors are available in stock for 9mm thickness, 22 colors for 12mm thickness and 21 colors for 24mm thickness

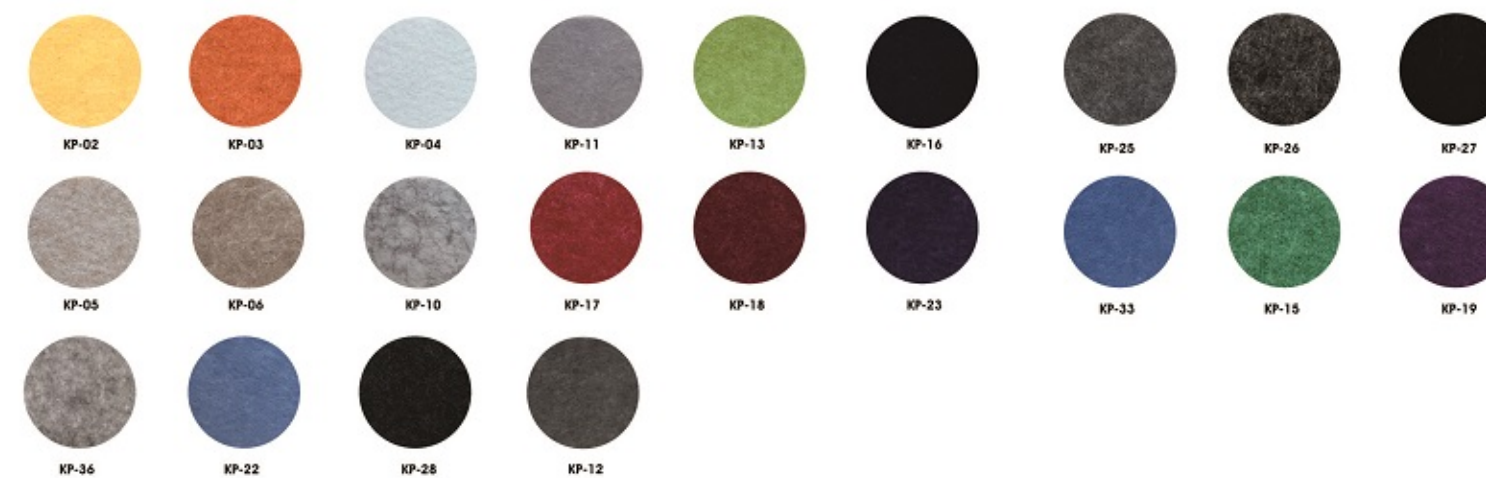
Product Specifications

Product Type	9/12/24mm Standard Panels
Material	100% polyester fiber
Size	2440*1220mm
Thickness	9/12/24mm have stock
Density	1500g/sqm and 1900g/sqm for 9mm 2300g/sqm for 12mm 4000g/sqm for 24mm
Color	37 colors for 9mm; 22 colors for 12mm; 21 colors for 24mm
NRC	0.8-0.9
Eco-friendly	E0
Fire-resistance	EN13501 Class B

9MM COLOR CHART



12MM COLOR CHART



24MM COLOR CHART



POLYESTER FIBER ACOUSTIC PANEL

ASTM CLASS A FLAME RETARDANT PANEL



A Class Fire-rated Polyester fiber acoustic panel
Fire-rated: ASTM E84-2018 Class A



Kingkus permanent flame retardant polyester fiber acoustic panel passed ASTM E84 Class A, more than 12 colors are available.

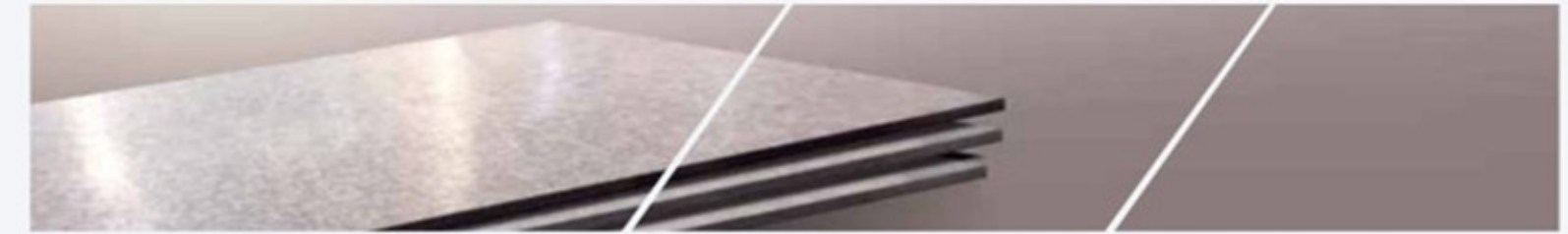


Product Specifications

Product Type	Flame Retardant Panels
Material	100% polyester fiber
Size	2440*1220mm
Thickness	9/12mm or customized
Density	1900g/sqm for 9mm, 2300g/sqm for 12mm or customized
Color	12 colors or customized
NRC	0.8-0.9
Eco-friendly	E0
Fire Resistance	ASTM E84 Class A

POLYESTER FIBER ACOUSTIC PANEL

POLISHED PANEL



Kingkus polished panel comes out with Kingkus imported new production line in 2019. It is polished with high-end smooth surface, significantly improving the visual effect and project quality.

Product Specifications

Product Type	Polished Panel
Material	100% polyester fiber
Size	2440*1220mm
Thickness	9/12mm or customized
Density	1900g/sqm for 9mm; 2300g/sqm for 12mm or customized
Color	37 colors for 9mm; 22 colors for 12mm or customized
NRC	0.8-0.9
Eco-friendly	E0
Fire Resistance	EN13501 Class B

CUSTOMIZED PANEL

Kingkus new production line improves overall production efficiency and creative probability, more size and thickness can be customized as required, customized color is also available.



Product Specifications

Product Type	Customized Panel
Material	100% polyester fiber
Size	Maximum width 2600mm
Thickness	3mm-30mm
Density	1000g/sqm - 5000g/sqm
Color	37 colors for 9mm; 22 colors for 12mm or customized
NRC	0.8-0.9
Eco-friendly	E0
Fire Resistance	EN13501 Class B

POLYESTER FIBER ACOUSTIC FELT

Felt color chart

			
KF-01	KF-02	KF-03	KF-04
			
KF-05	KF-06	KF-07	KF-08
			
KF-09	KF-10	KF-11	KF-12
			
KF-13	KF-14	KF-15	KF-16
			
KF-17	KF-18	KF-19	KF-20
			
KF-21	KF-22	KF-23	KF-24
			
KF-25	KF-26	KF-27	KF-28
			
KF-29	KF-30	KF-31	KF-32
			
KF-33	KF-34	KF-35	KF-36
			
KF-37	KF-38	KF-39	KF-40
			
KF-41	KF-42	KF-43	KF-44

Brief Introduction

Kingkus polyester fiber acoustic felt is 100% made by polyester fiber. Fiber's unique, tough structure and soft appearance means that most continue to view polyester fiber felt as an intriguing material of shockproof, dust proof, seals liner, warm-keeping, sound proofing, bags and suitcases, shoes, hats, garments, decoration pendant, also for decorations packing.



Product Specifications

Product Type	Polyester Fiber Acoustic Felt		
Material	100% polyester fiber.		
Thickness	1mm	2mm	3mm
Density	200g/sqm	400g/sqm	600g/sqm
Size	1.05*100m	1.05*100m	1.05*50m
Color	40 colors		

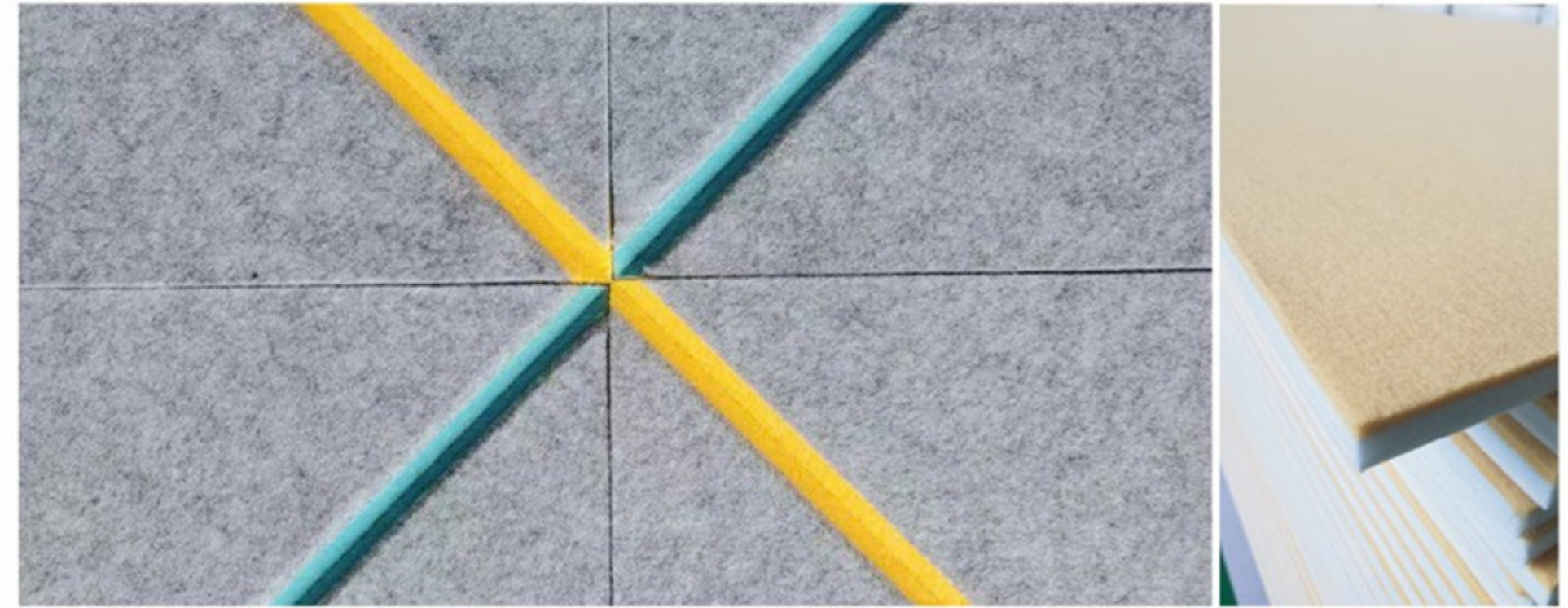


FELT PANEL COMPOSITION

Brief introduction

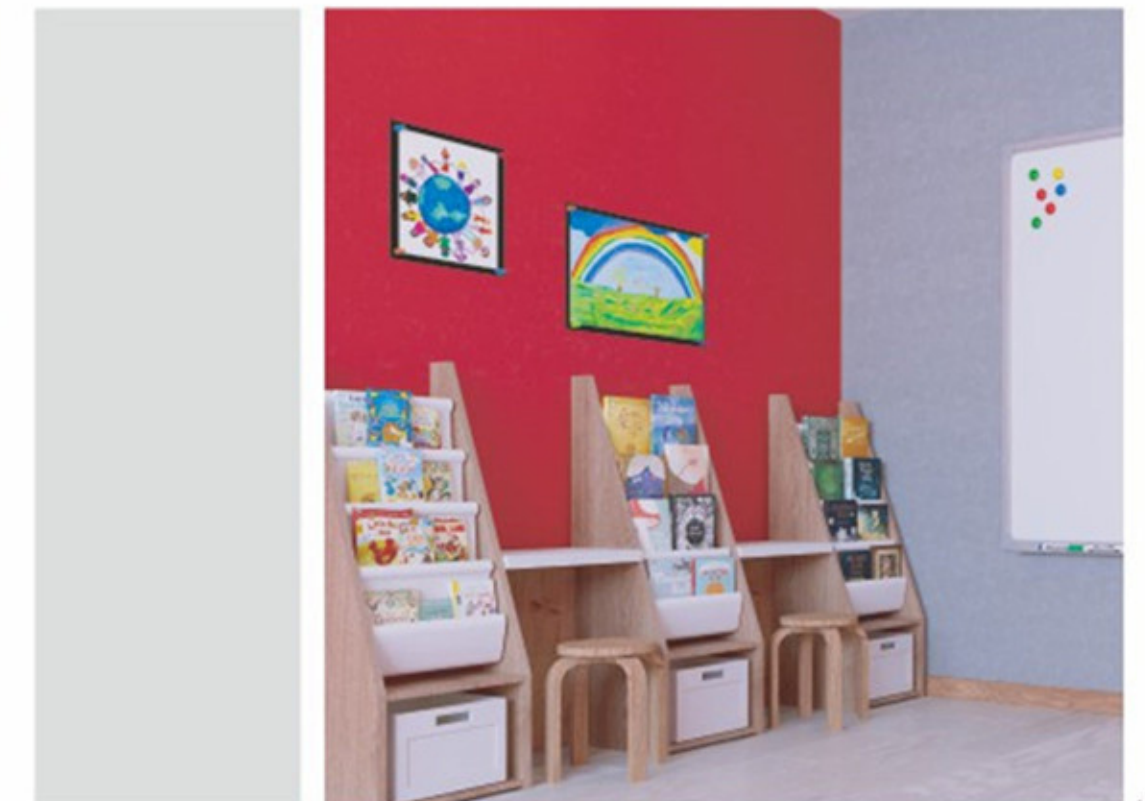
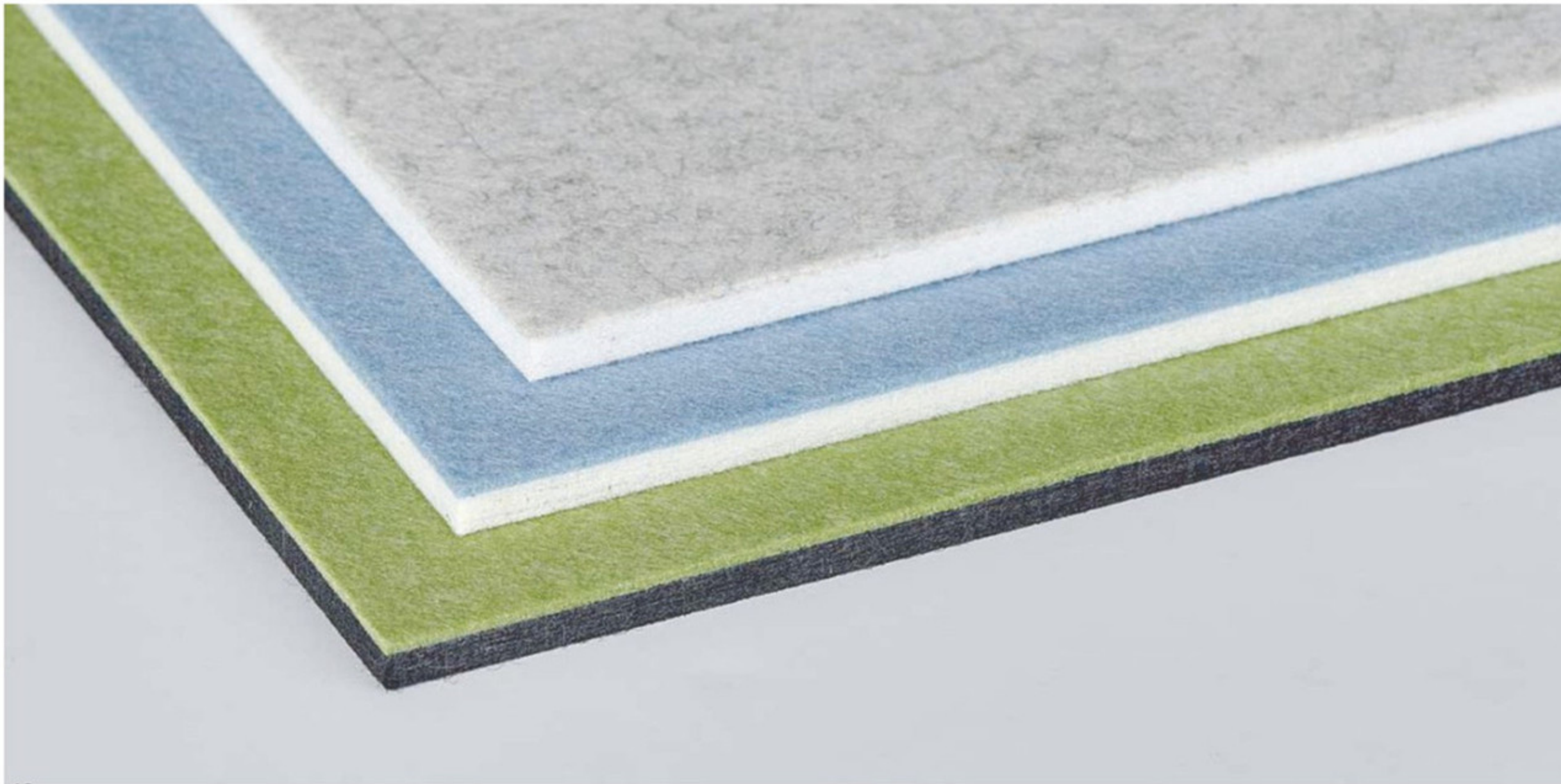
Made from a 100% polyester fiber, needle-punched felt and thermally bonded to an acoustic backing with ECO glue, Kingkus felt panel composition reduces the need for extensive wall preparation and painting, and provides the freedom to create a unique look in any space.

It transforms your walls into acoustic notice boards by taking advantage of the tack-able and hook-and-loop receptive surface, providing the perfect complement for commercial offices, libraries, and the education sector.



Product Specifications

Product Type	Felt Panel Composition
Size	Max to 2400*1000mm
Thickness	11mm/12mm/14mm/15mm
Density	1700g/sqm to 4000g/sqm
Color	Panel color- choose from 9mm panel color chart Felt color- choose from felt color chart
Applications	Tack board, hook-and-loop receptive surface, acoustic wallcovering





CARVED FEATURED ACOUSTIC PANEL

More than just a traditional interior acoustic panel, Kingkus polyester fiber acoustic panel can be used as a base material for creative solutions where design and aesthetics are important. The appearance of carved featured acoustic panel is a direct response to discover the limitless design flexibility of Kingkus polyester fiber acoustic panel. It is a perfect choice for wall covering, cabinetry, furniture, and finished products in a variety of settings.

CARVED FEATURED ACOUSTIC PANEL

HOLLOW-OUT ACOUSTIC PANEL

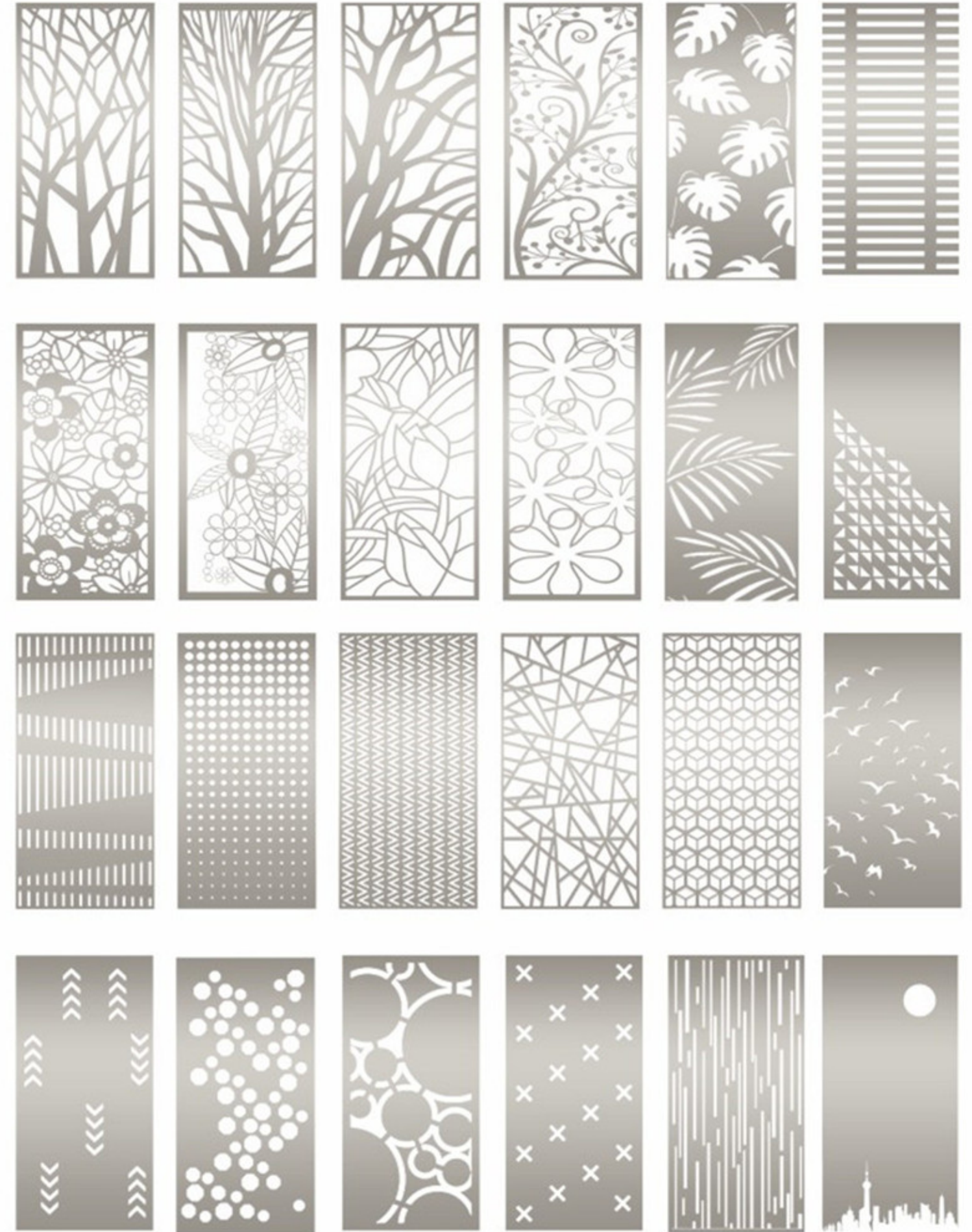
Combined the genuine local craftsmanship tradition with the latest technological advances, Kingkus hollow-out acoustic panel encourages and inspires the ideas and creativity in workers by providing visual and acoustic privacy in open spaces.

Product Specifications

Product Type	Hollow-out acoustic panel
Material	100% polyester fiber
Size	2400*1200mm
Thickness	9/12mm
Density	1900g/sqm for 9mm; 2300g/sqm for 12mm
Colors	37 Colors for 9mm; 22 Colors for 12mm or customized
NRC	0.8 – 0.9
Eco-friendly	E0
Fire Resistance	EN13501 ClassB



Designs



Customized design is available.

CARVED FEATURED ACOUSTIC PANEL

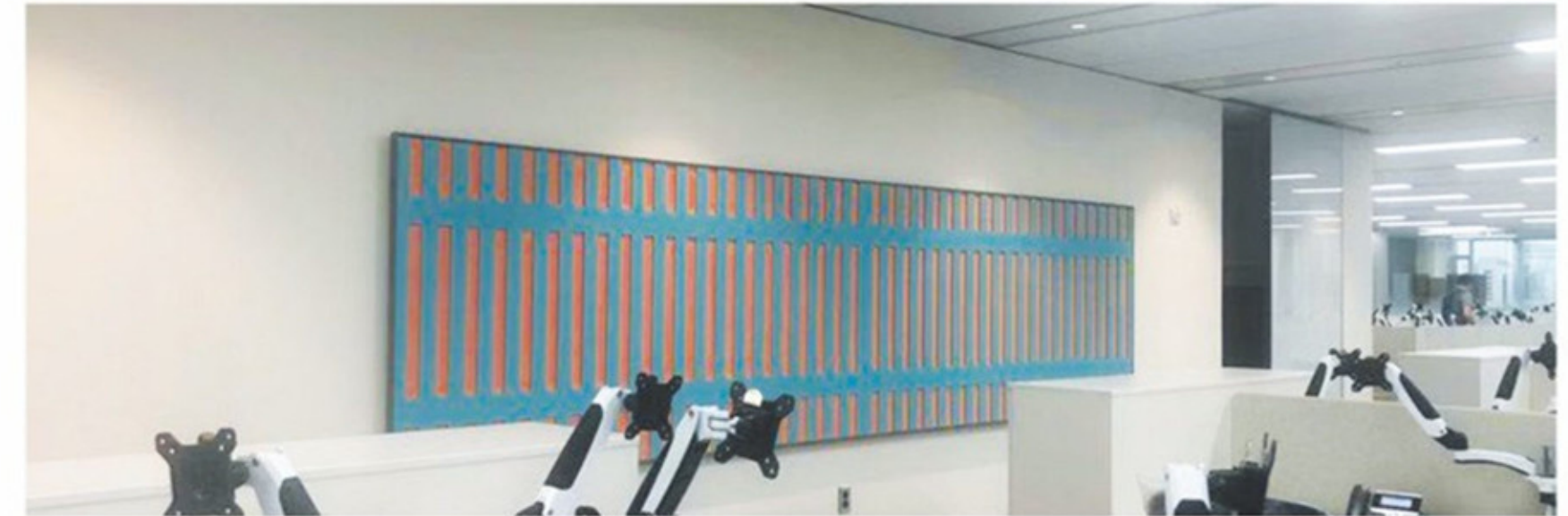
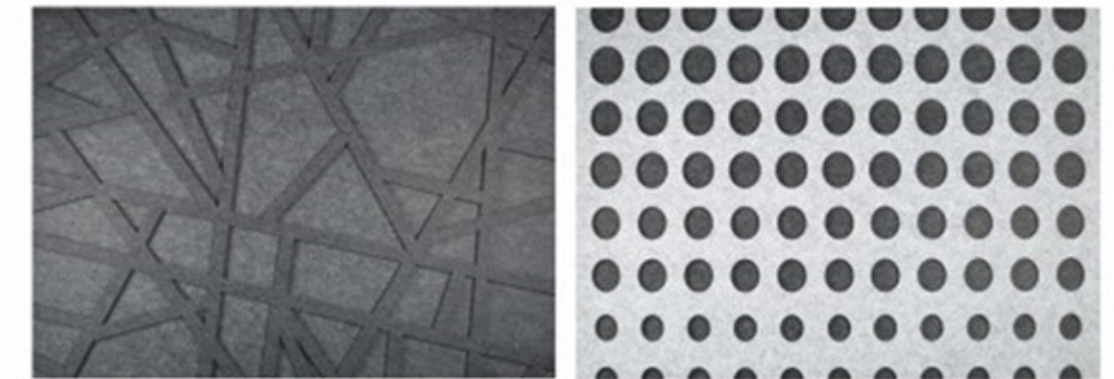
HOLLOW-OUT ACOUSTIC PANEL MOUNTING

3 Methods to Mounting

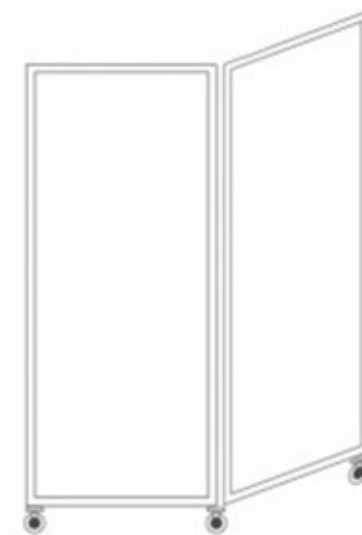
Hanging
Ceiling hang with carriers



Wall Mounting
Wall hang with back panel and frame



Standing
Standing with moveable frame



CARVED FEATURED ACOUSTIC PANEL

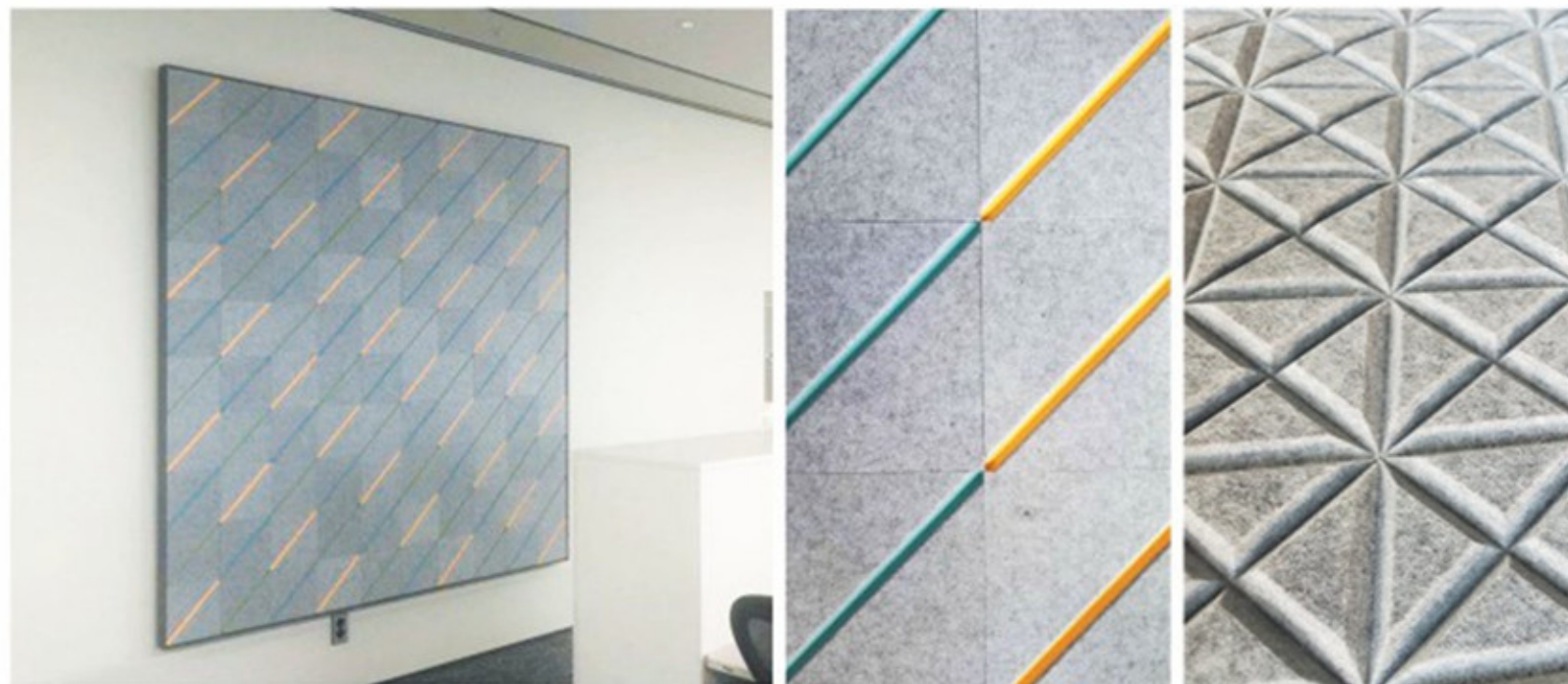
V-GROOVED ACOUSTIC PANEL



Kingkus carved panel may be hung individually or in groups to segment space or glue on the wall to create visual effect and reduce unwanted noise also you can use them as screen, wall panel and home dividers.

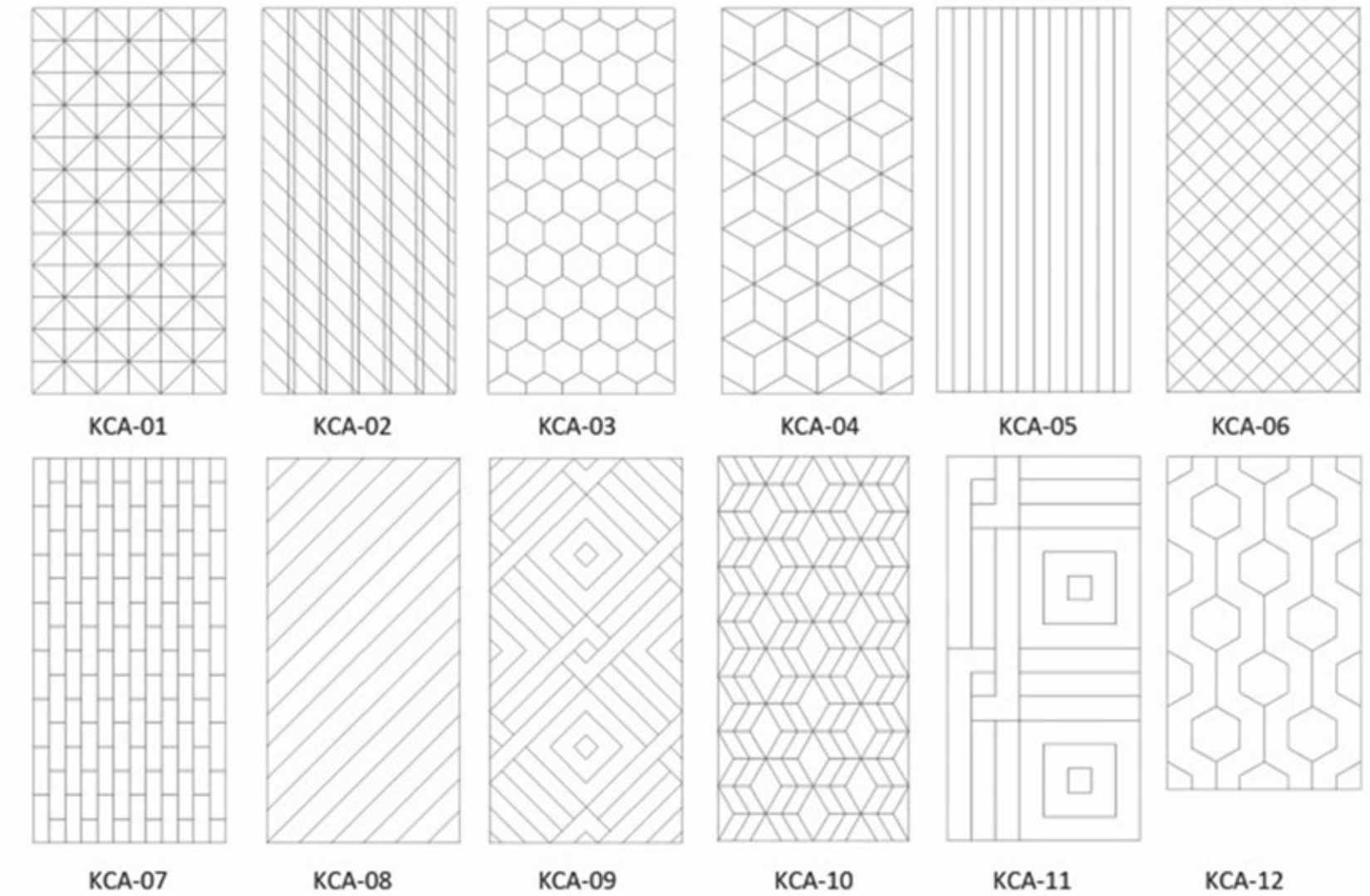
Product Specification

Product Type	V-grooved Acoustic Panel
Material	100% polyester fiber
Size	2400*1200mm, 1200*600mm, 600*600mm
Thickness	9/12mm
Density	1900g/sqm for 9mm; 2300g/sqm for 12mm
Colors	37 Colors for 9mm; 22 Colors for 12mm or customized
NRC	0.8 – 0.9
Eco-friendly	E0
Fire Resistance	EN13501 Class B

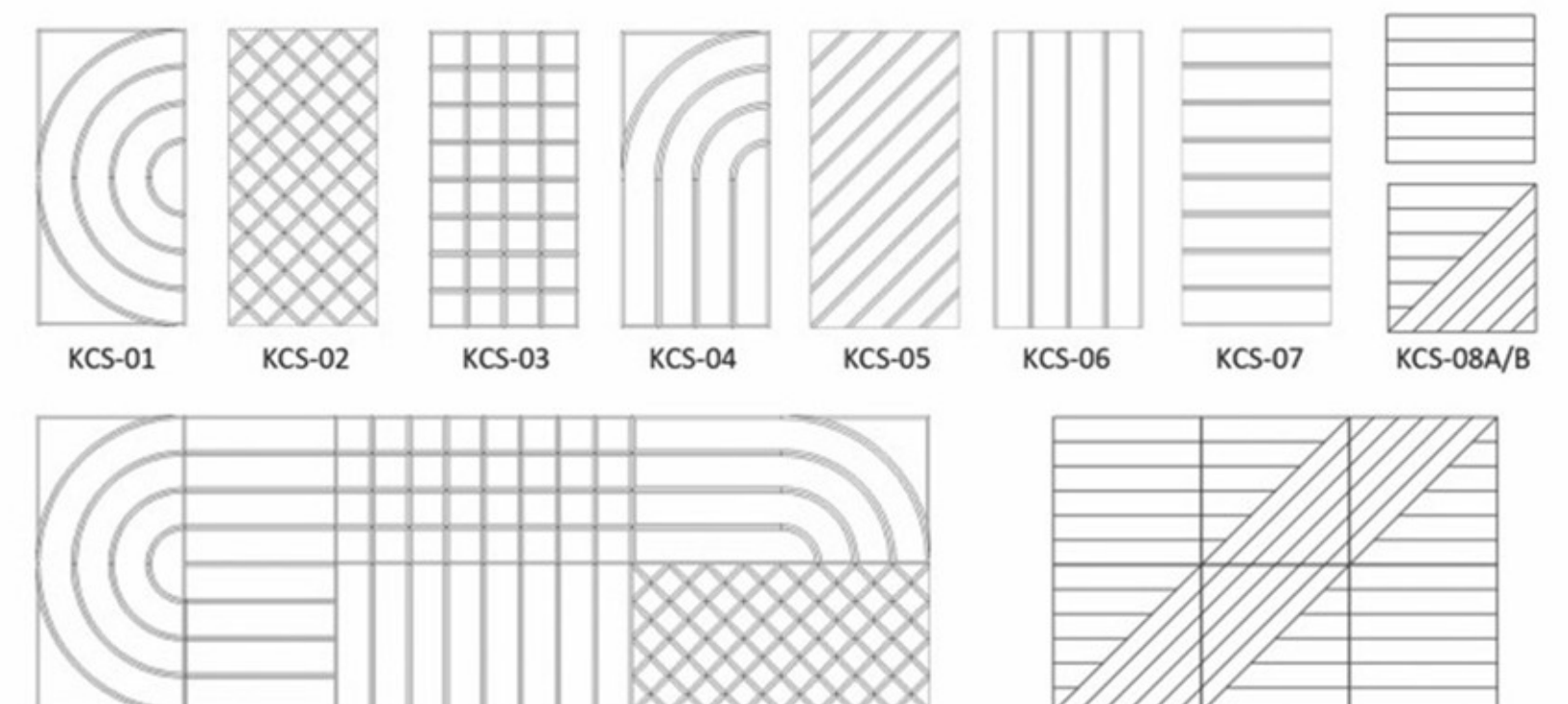


Designs

Size: 2400*1200mm



Size: 1200*600mm and 600*600mm for Combination





WG0006b

WG0038b

WG0007b

WG0018b

WG0040b

MS0006a

MS0022a

MS0024a

QZ0013a

QZ0031a

QZ1037

QZ1013

SS0001

SS0017

SS0009

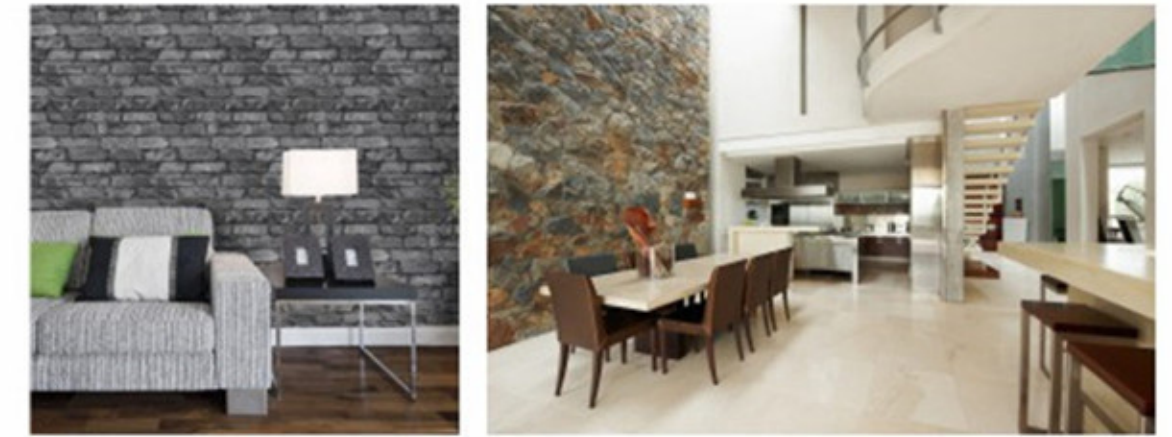
CM00001

CM00002

CM00003

CM00004

Scan more designs



PRINTING WALL COVERING

Brief introduction

Kingkus Printing Wall Covering is a collection of digital printed patterns designed with the modern commercial space in mind. It controls acoustic sound, and meanwhile provides a visual dynamics that changes as you move closer or further away from the pattern. Custom patterns are also available.

Product Specifications

Product Type	Printing Wall Covering
Material	100% polyester fiber
Surface Type	Digital printed
Size	2440*1220mm
Thickness	9/12mm
Density	1900g/sqm for 9mm; 2300g/sqm for 12mm
Color	Printed on white panel
NRC	0.8-0.9
Eco-friendly	E0
Fire Resistance	EN13501 ClassB



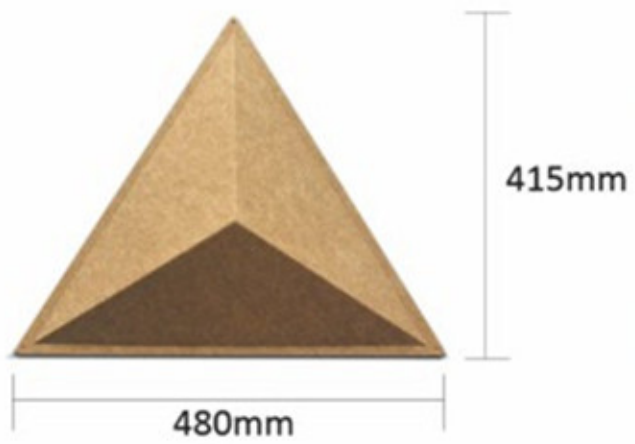
3D POLYESTER FIBER ACOUSTIC PANEL

A modular acoustic wall panel is designed to create a contemporary finish and add simple and effective acoustic control to any interior environment. Lightweight and semi-rigid, Kingkus 3D Cube opens the realms of acoustic design flexibility whilst reduces reverberated sound and controls background noise. Kingkus 3D Cube is completely safe and certified low VOC, suitable for residential, office, education, retail and hospitality spaces.

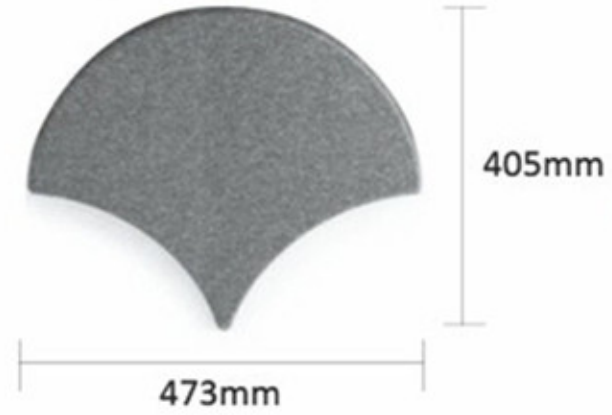
3D POLYESTER FIBER ACOUSTIC PANEL

3D PANEL TILES

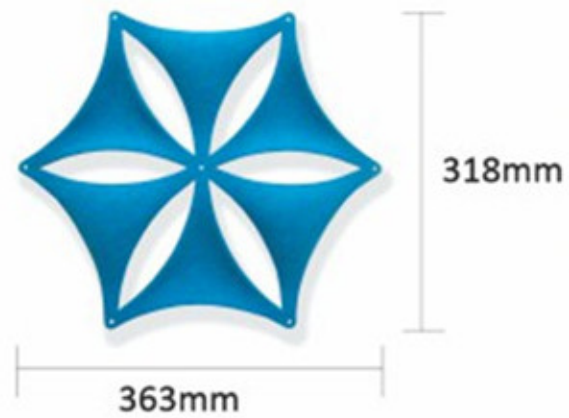
KusCone



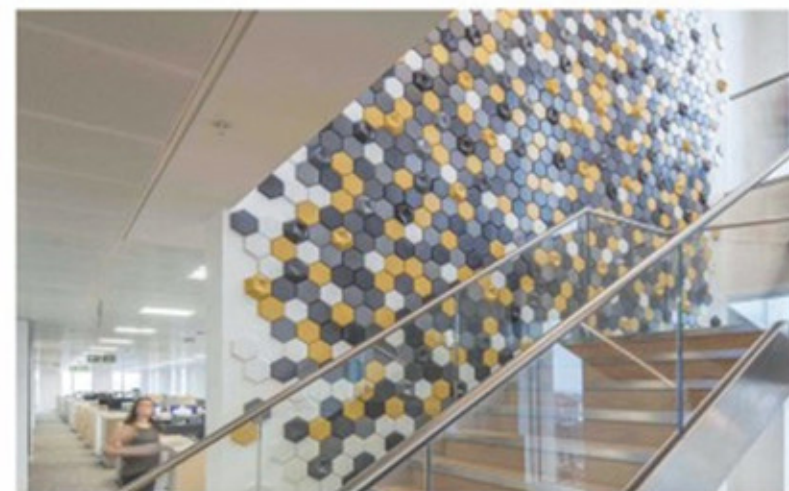
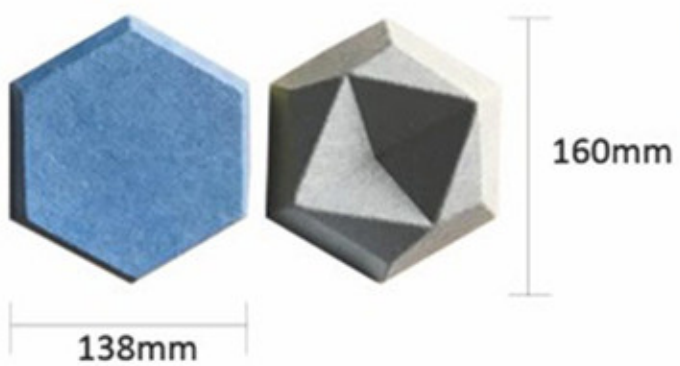
Ginkgo



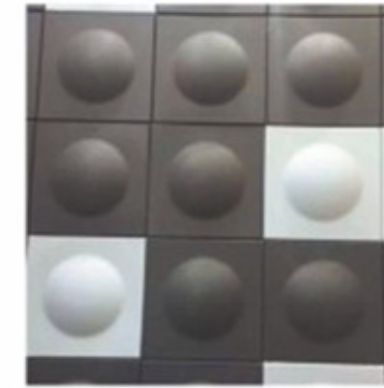
Hexagon



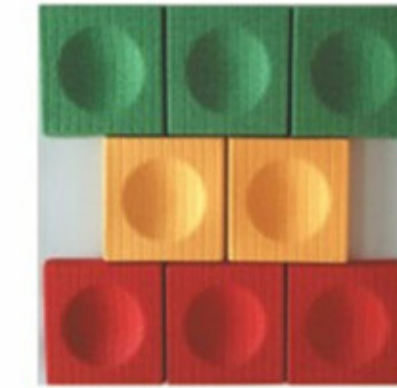
Edgy 3D



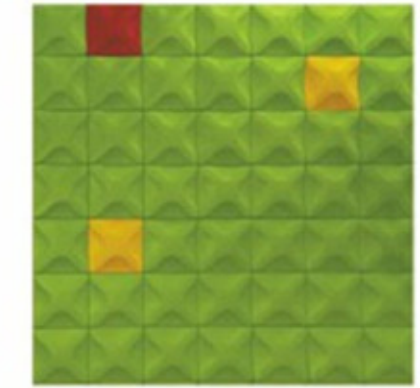
More Designs



Big Drum
600*600*60mm



Sinkhole
600*600*65mm



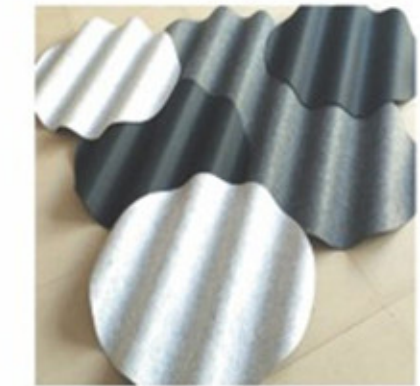
X
200*200*30mm



Arrow keys
200*130*30mm



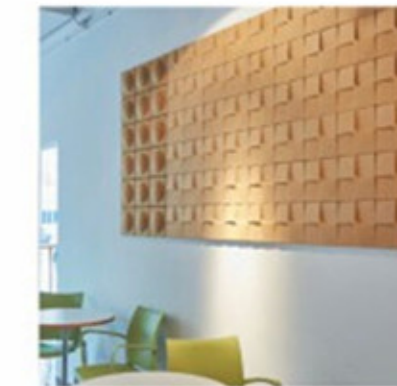
Stairs pyramid
200*200*60mm



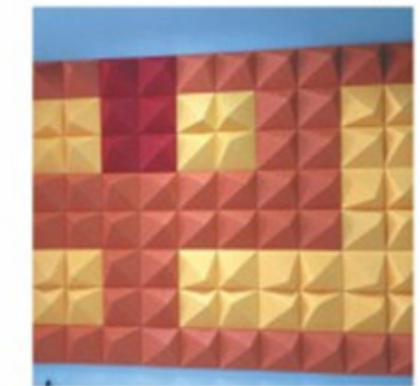
Potato chips
740*750*76mm



Cross
200*200*30mm



Cube sugar
200*200*30mm



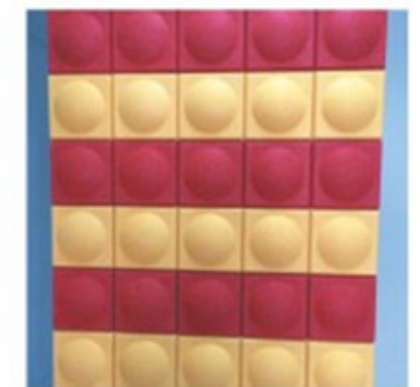
Diamond
300*300*85mm



Donut
600*600*68mm



Double Happiness
350*350*50mm



Little drum
200*200*35mm

Colors of 3D Panel Tiles

Choose from 9mm standard panel color chart

3D POLYESTER FIBER ACOUSTIC PANEL

3D FELT TILES

Wave



Cube



Inflected Lines

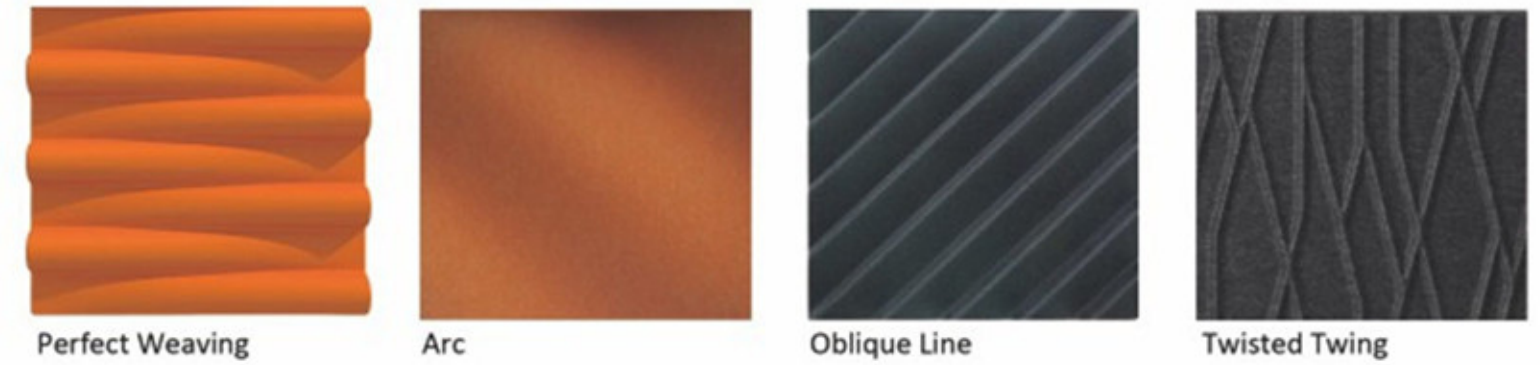


Vertical Arc

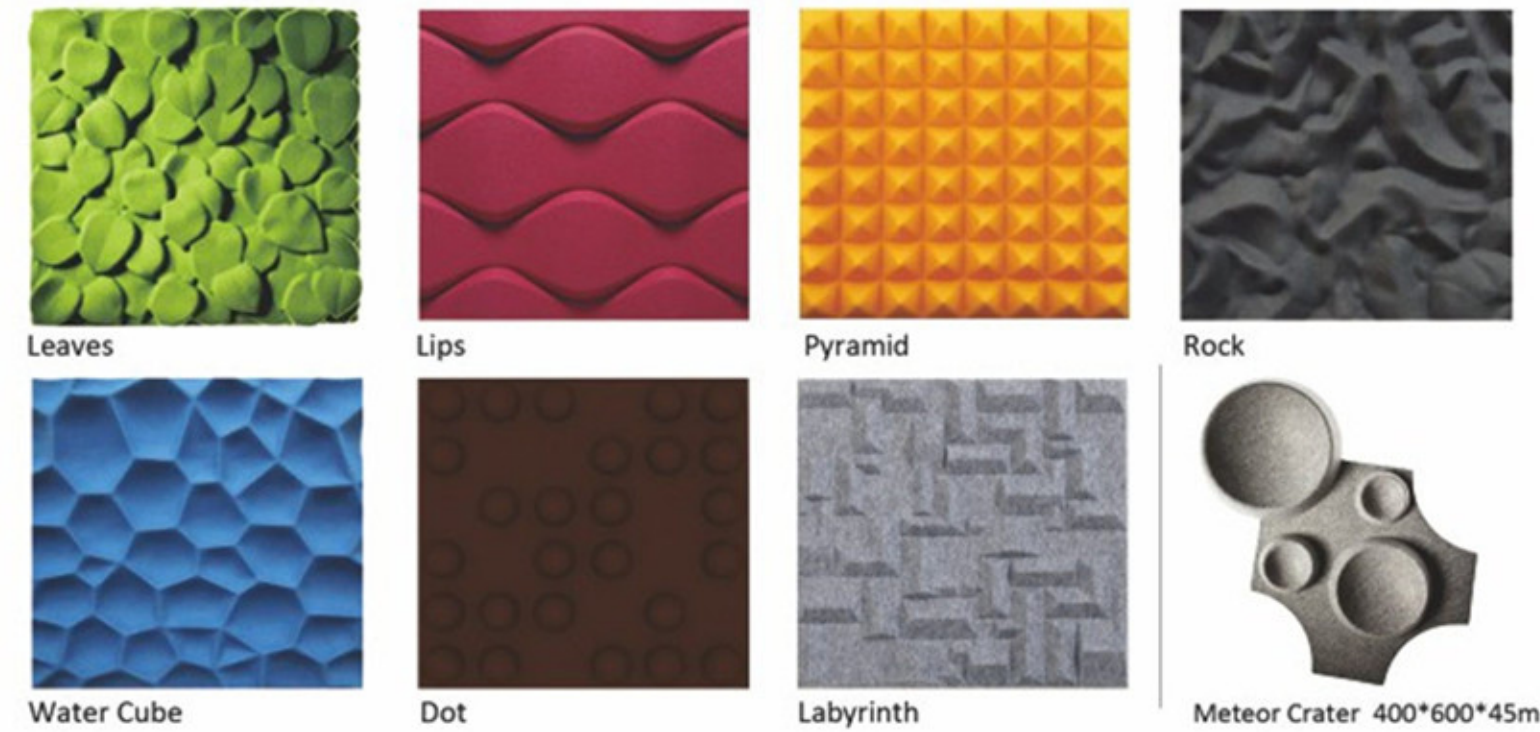


More Designs

500*500*60mm



600*600*74mm



Colors of 3D Felt Tiles





ACOUSTIC FURNITURE

Designed with solid color throughout, Kingkus acoustic furniture have always been the first choice for designers and architects around the world with both functional, sustainable, decorative and great unwanted reverberation reduction. The free standing variable acoustic screen is used in the face-to-face position, providing strong sound absorption, separation and bass control, and expands personal space as well.

ACOUSTIC FURNITURE

EMBOSSED DESK DIVIDER

Big Kuspot



Size	Finishes	Mounting
920*300*14mm	Kingkus Standard Panel	Desk mounted with clips
1180*300*14mm	or Kingkus felt	

Small Kuspot



Size	Finishes	Mounting
1030*330*13mm	Kingkus Standard Panel	Desk mounted with clips
800*330*13mm	or Kingkus felt	
1030*500*13mm		

Kushung



Size	Finishes	Mounting
1180*580*16mm	Kingkus Standard Panel	Desk mounted with hangers
	or Kingkus felt	

Kuslot



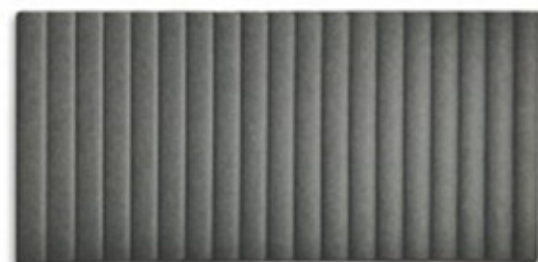
Size	Finishes	Mounting
580*340*16mm	Kingkus Standard Panel	Desk mounted with clips
1180*340*16mm	or Kingkus felt	
1380*340*16mm		

Kusprotrusion

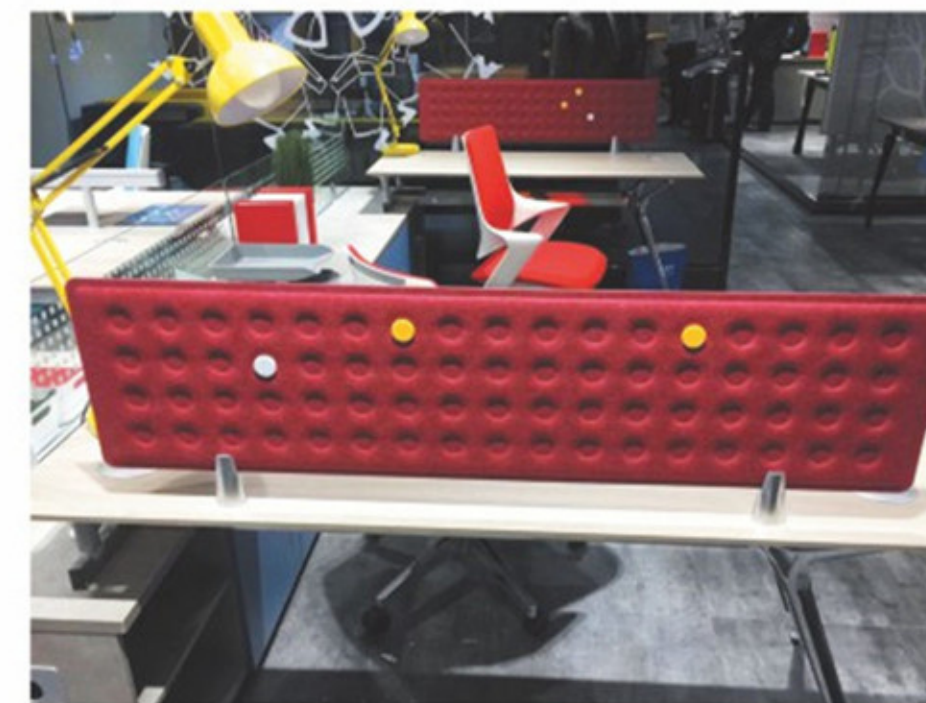


Size	Finishes	Mounting
1400*560*18mm	Kingkus Standard Panel	Desk mounted with clips or hangers
1160*450*18mm	or Kingkus felt	
1160*500*18mm		
1160*550*18mm		

Kuswave



Size	Finishes	Mounting
1170*580*9mm	Kingkus Standard Panel	Desk mounted with clips or hangers
1170*580*12mm	or Kingkus felt	



ACOUSTIC FURNITURE

ENGRAVING DESK DIVIDER

Kuspanel



Size

2400*400*12mm
1200*400*12mm
1200*600*12mm
or customized

Finishes

Kingkus Standard Panel

Mounting

Desk mounted with clips
or hangers

Kuscarved



Size

2400*400*12mm
1200*400*12mm
1200*600*12mm
or customized

Finishes

Kingkus Standard Panel
or Kingkus felt

Mounting

Desk mounted with clips
or hangers

Kusfold



Size

2400*400*12mm
2000*400*12mm
1800*400*12mm
or customized

Finishes

Kingkus Standard Panel

Mounting

Desk mounted with clips
or hangers

Kusinsert



Size

800*600*12mm
800*700*12mm
or customized

Finishes

Kingkus Standard Panel

Mounting

Insert directly on the desk

Kusgrooved



Size

2400*600*12mm
2000*600*12mm
or customized

Finishes

Kingkus Standard Panel

Mounting

Desk mounted with hangers

DESK DIVIDER MOUNTINGS

Clip



Hanger

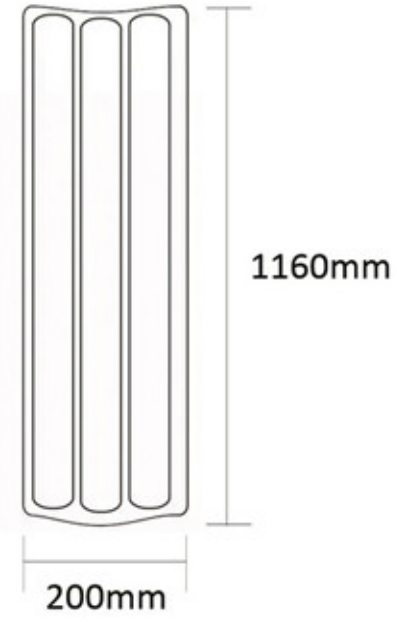
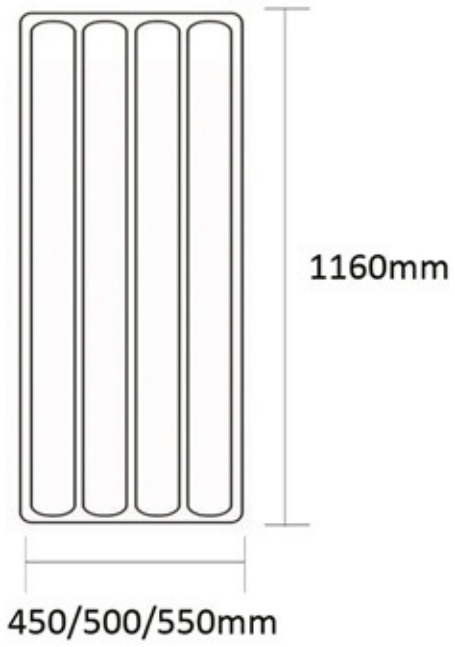


Color



ACOUSTIC FURNITURE WORKSTATION

1160H Workstation



Size

1160*450*18mm
1160*500*18mm
1160*550*18mm
1160*200(R)*18mm

Finishes

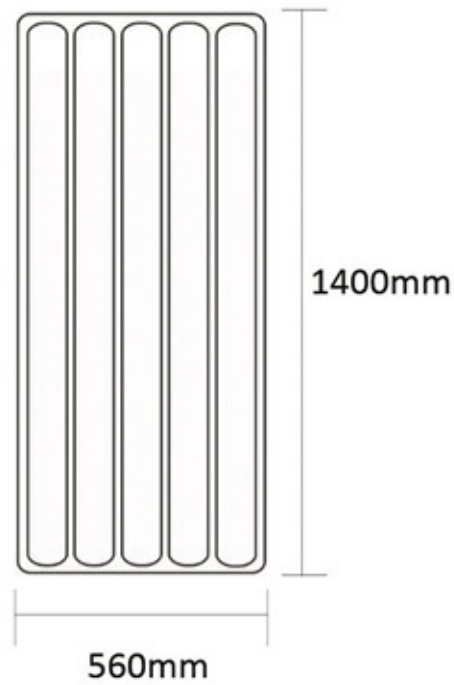
Kingkus Standard Panel or Kingkus Felt

Mounting

Wooden connection
and screws



1400H Workstation



Size

1400*560*18mm
1400*560(R)*18mm

Finishes

Kingkus Standard Panel or Kingkus Felt

Mounting

Wooden connection
and screws





KUSDESIGN APPLICATION

With the increasing demand for fully concentration and undisturbed spaces, Kingkus designers created different wall, ceiling and lighting designs with incredible acoustics and unique appearances suited to offices and other functional properties, schools and open buildings. Kingkus always keep the philosophy of ecology, flexibility and acoustics in mind.

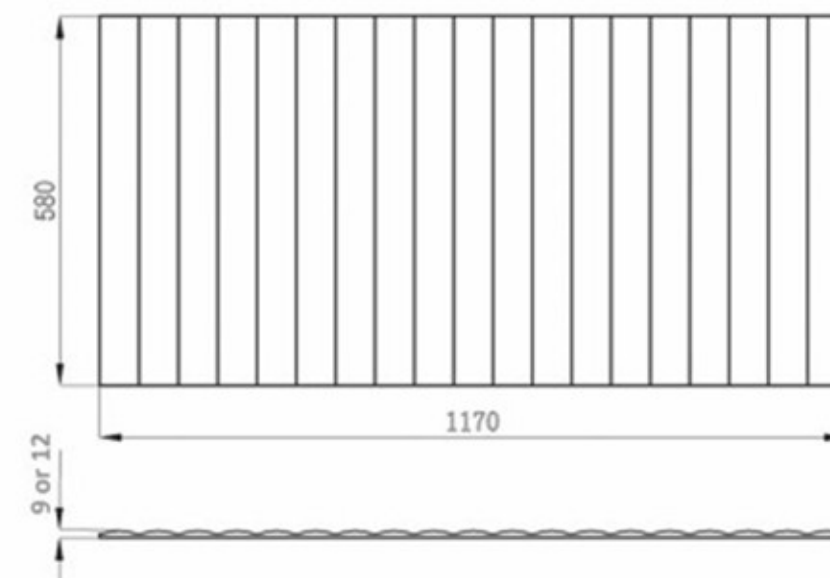
KUSWAVES ACOUSTIC PANEL

KusWaves is a sound absorber with a simple graphic design. The pattern formed by combining several modules can be varied in a virtually infinite number of ways. Sound-absorbing acoustic panels in hot-pressed KusWaves is mounted on the wall or the ceiling. You can use different colors, different perspectives, the perfect world mosaic.



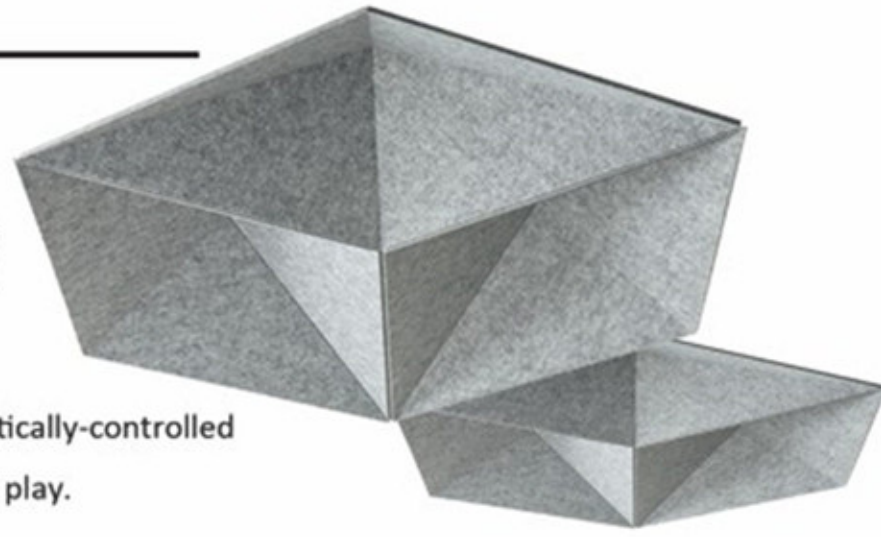
Specifications

Size	Thickness	Material
1170*580mm	9mm, 12mm	Kingkus standard 9mm or 12mm panel

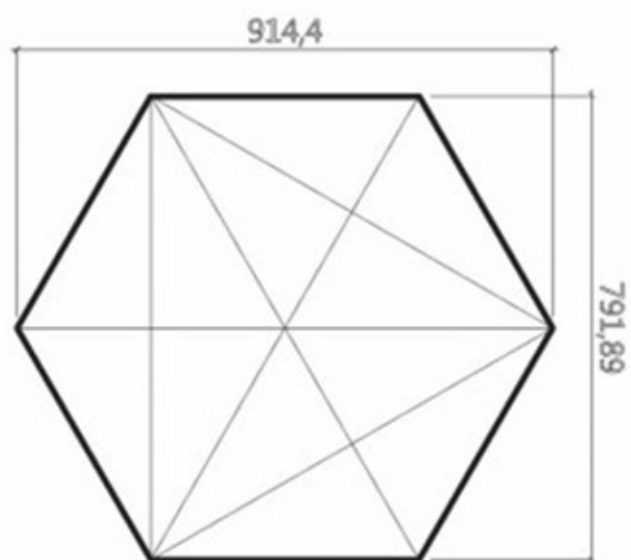


KUSTAR ACOUSTIC CEILING

KuStar helping you design visually stunning, acoustically-controlled spaces for creative, productive living, working and play.



Size
915*792*140mm



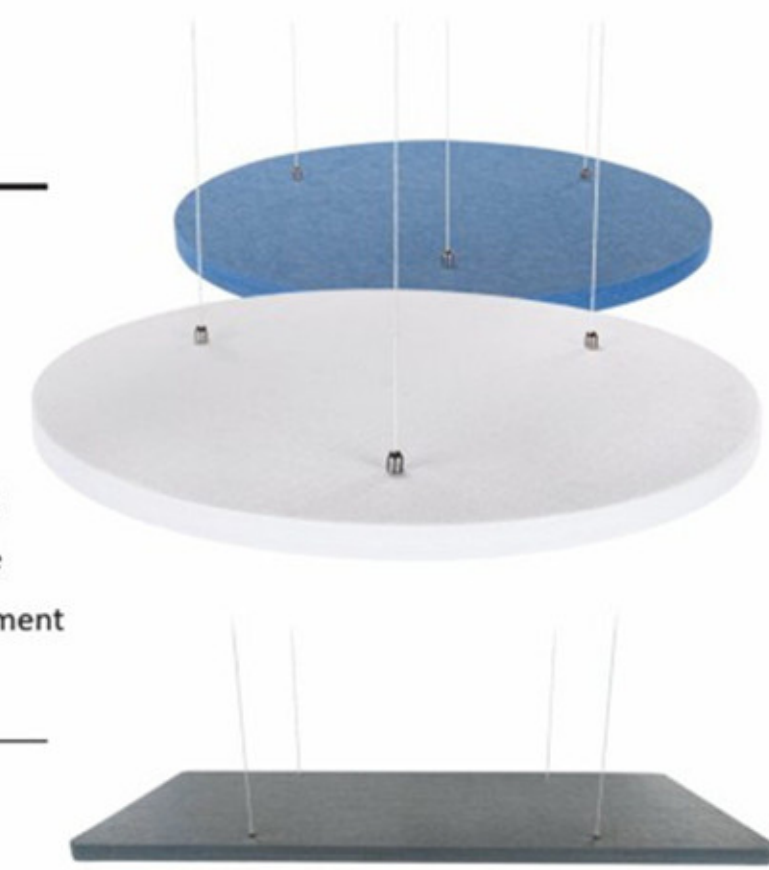
Material
Kingkus Standard 9mm Panel

Mounting
Ceiling hung with cable, connect with joiners



KUSCLOUD ACOUSTIC CEILING

KusCloud is an ideal solution for capturing noise and muffling echoes as they reflect around a large space. Rooms with bare cement floors and blank walls need the added acoustic treatment to mitigate their tendency to reflect sound.



Size
2400*1200*12mm
2400*600*12mm
1200*1200*12mm
1200*600*12mm

Material
Kingkus Standard 12mm Panel

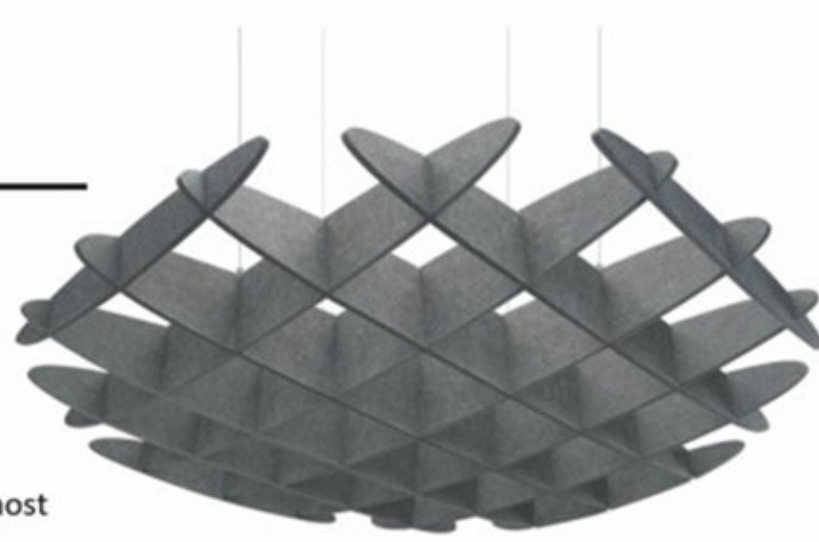
Mounting
Ceiling hung with cable

1200(D)*12mm
838(D)*12mm
600(D)*12mm

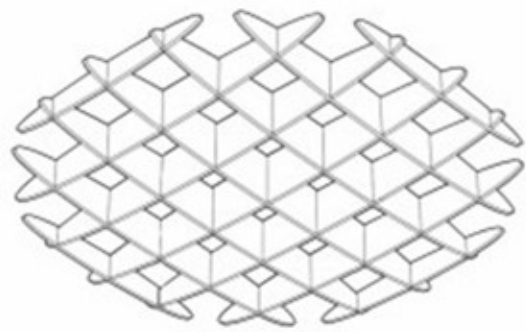


KUSWAFFLE ACOUSTIC CEILING

KusWaffle adds a touch of style and sound buffering to almost any space. It reduces sound levels in your workspace. It hangs from ceilings via simple, yet strong, wire assemblies.



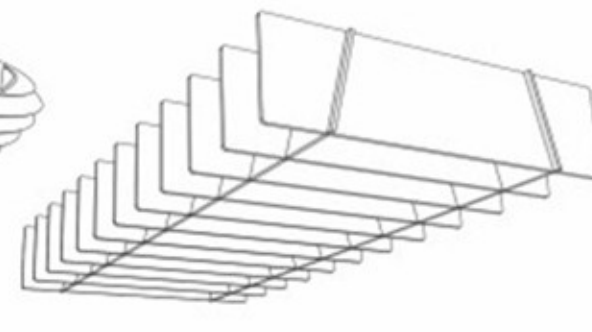
Size



Round: 1200*1200*150mm



Oval: 2400*1200*300mm



Rectangle: 2400*1200*280mm

Material

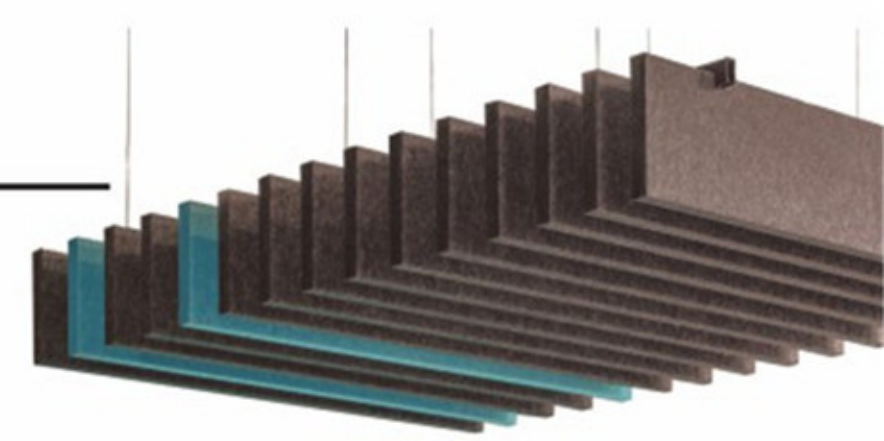
Kingkus Standard 12mm Panel

Mounting

Ceiling hung with cable

KUSBAFFLE ACOUSTIC CEILING

KusBaffle is one of the industry's most dynamic acoustic ceiling systems. Designed to work with standard connection systems, KusBaffle installs in seconds. This is where flowing aesthetics and acoustic performance meet in harmony.



Size

2400*200*12mm

2400*300*12mm

2400*400*12mm

Material

Kingkus Standard 12mm Panel

Mounting

Ceiling hung with square tube and cable

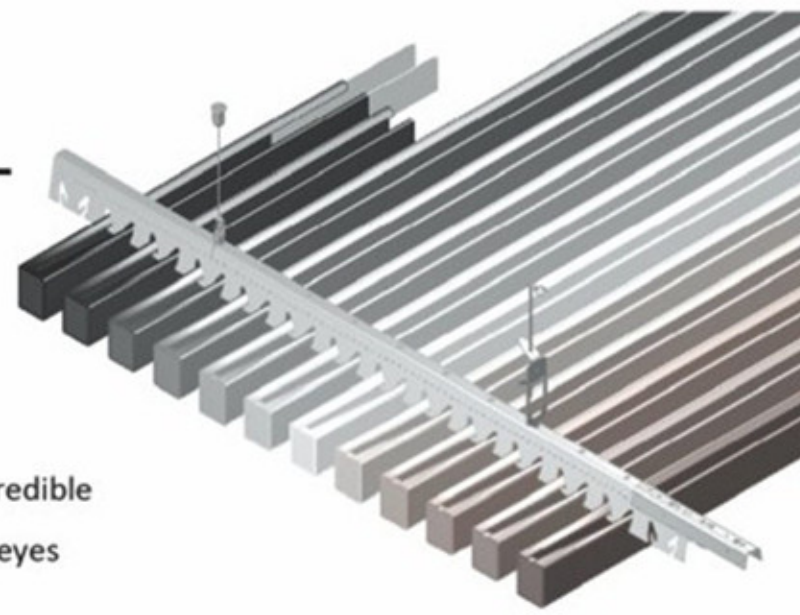
Service

Customized designs available



TECHCEILING ACOUSTIC CEILING

A modular polyester fiber acoustic panel ceiling system with incredible acoustics and a unique appearance. A design that delights both eyes and ears and has sustainability at its core.



Size
2440*40*55mm

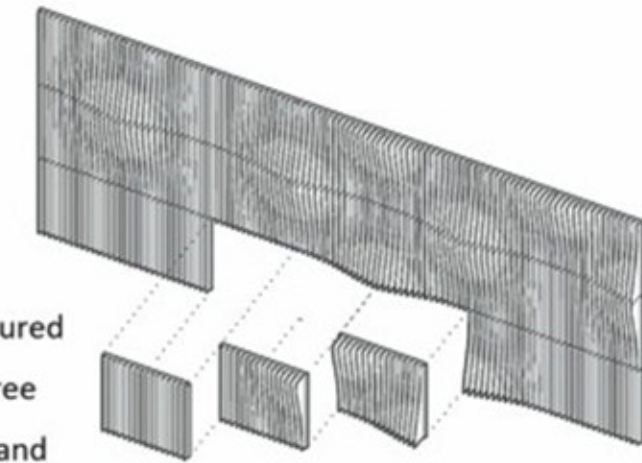
Material
Kingkus Standard 9mm Panel

Mounting
Ceiling hung with carriers
Wall install with clips

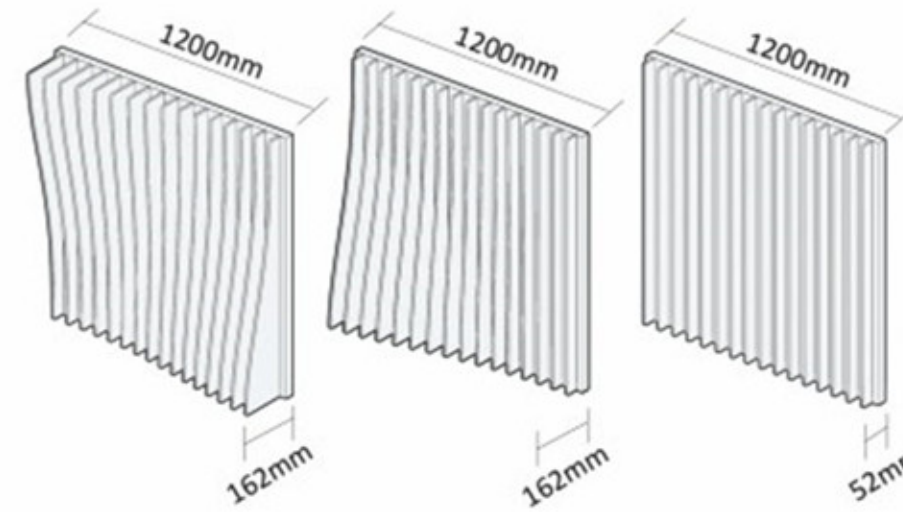


KUSWALL ACOUSTIC WALL BAFFLE

KusWall is a modular acoustic tiling system that can be easily configured to create seemingly endless "custom" wall sculptures. With only three modular KusWall, endless varieties of undulations, ebbs and flows, and transitions can be created within any interior environment.



Size



Mounting

Mount with Z-clip



Material

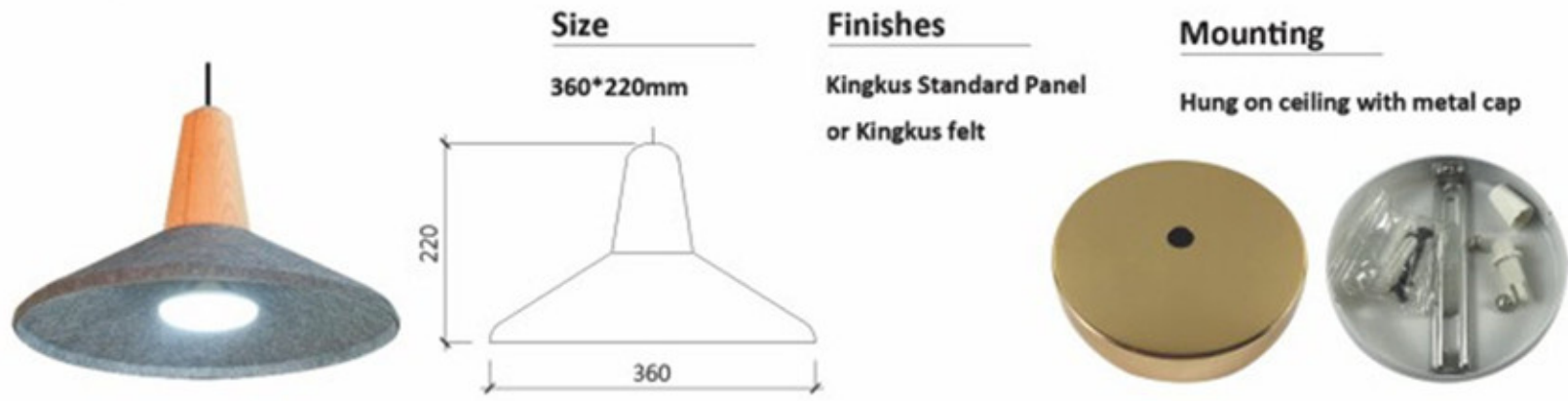
Kingkus Standard
12 mm Panel



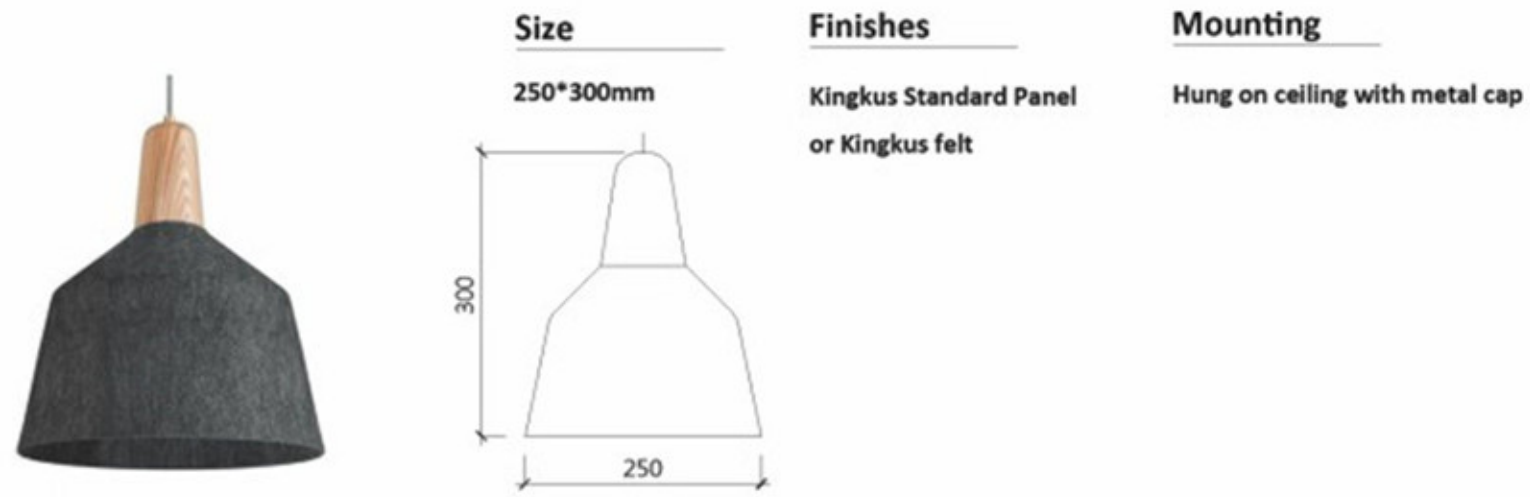
KUSLIGHTING

ACOUSTIC DECORATIVE LIGHTING

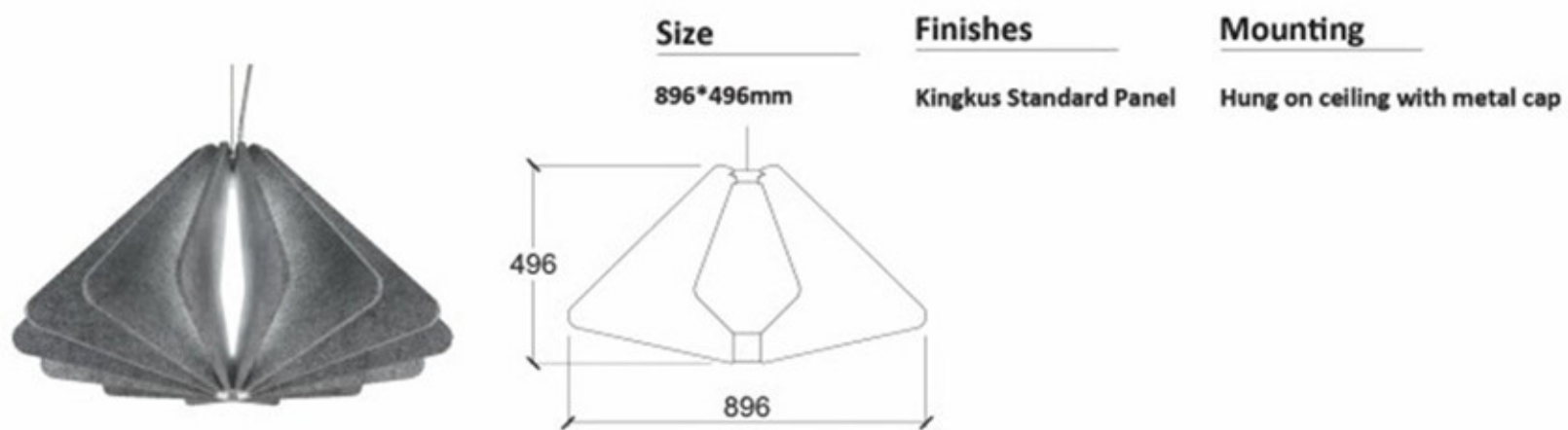
Milk Tea



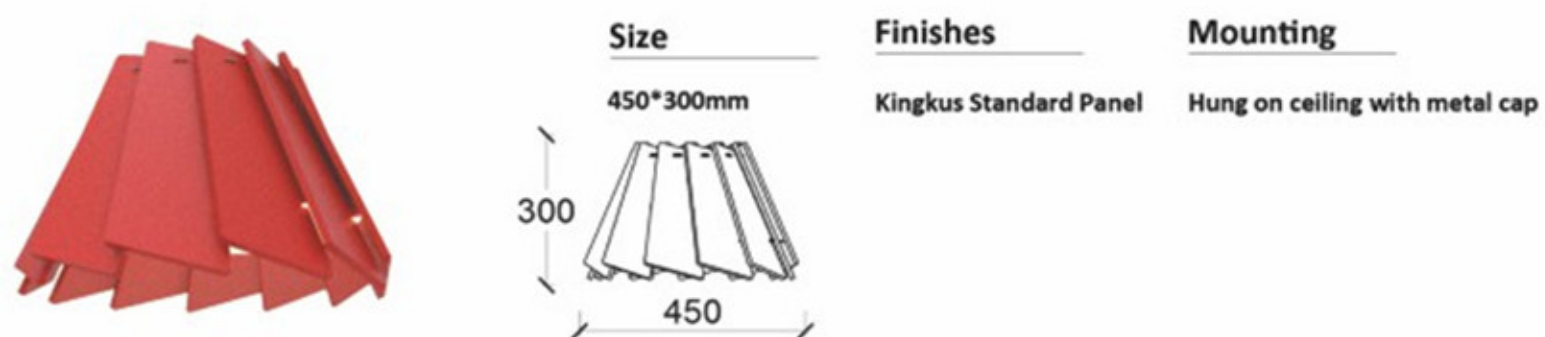
Coffee



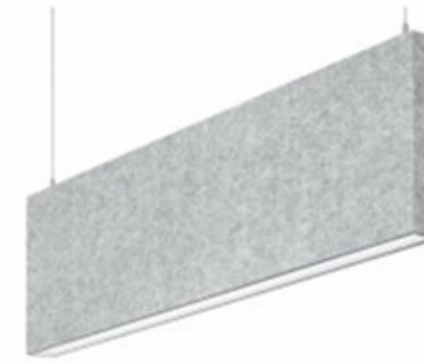
Vane



Plex



Box



Size
1100*300*100mm
500*200*100mm

Finishes
Kingkus Standard Panel

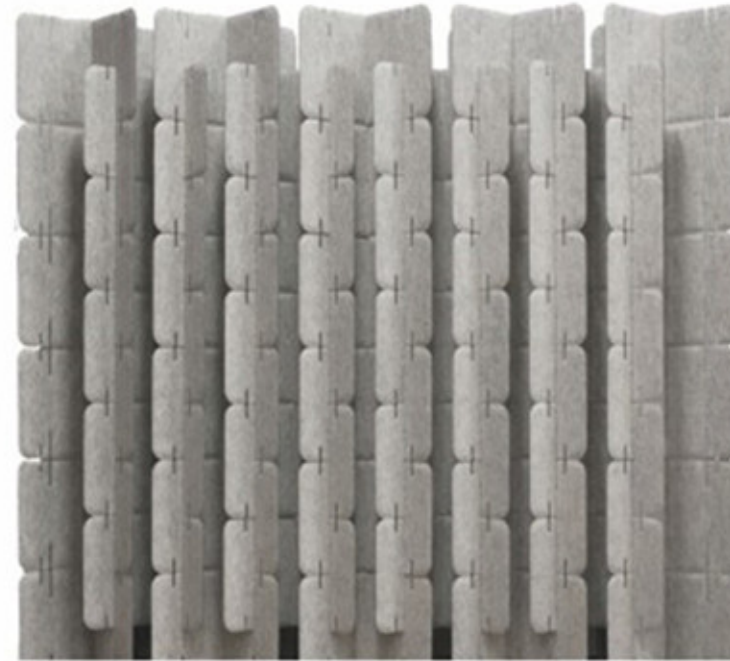
Mounting
Hung on ceiling with metal cap



KUSDIVIDER

STANDING ACOUSTIC DIVIDER

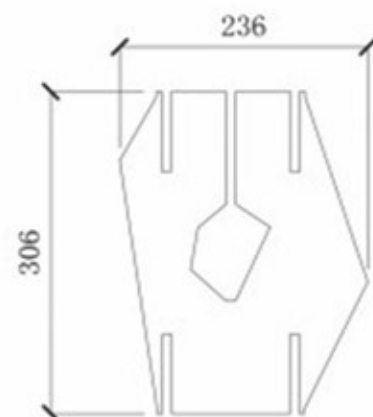
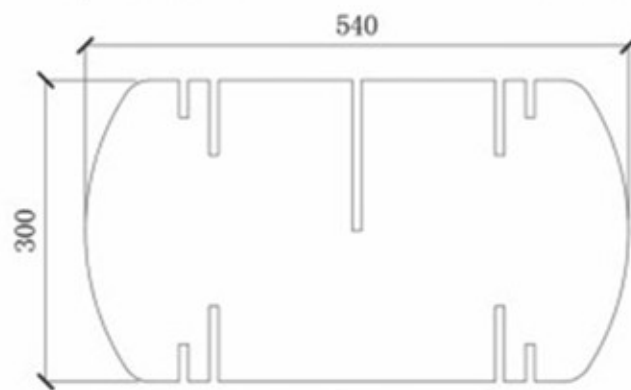
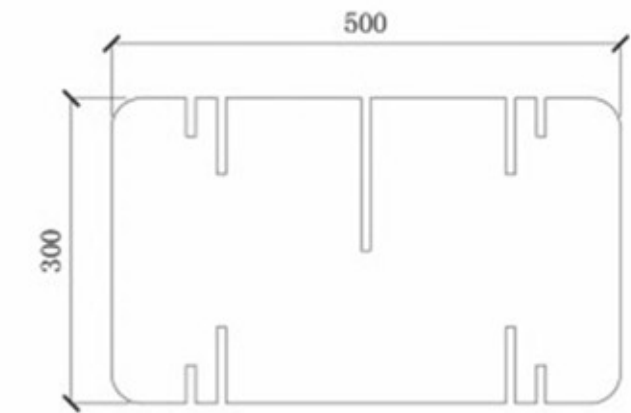
KusDivider is a freestanding, acoustic, modular room divider that can be configured into privacy screens, displays or even temporary walls and rooms without hardware or damage to existing walls and ceilings. The modules can be assembled in closed or open configurations for privacy or visual separation.



Specifications

Size
500*300*9mm, 540*300*9mm
236*306*9mm

Material
Kingkus standard 9mm panel



KUSRUSTIC

SLATS ACOUSTIC PANEL

Kusrustic slats acoustic panel can significantly improve the sound for a room, while also contributing with a modern and stylish expression. Functional slats with wood veneer or melamine when it's best! It's suitable for office communities, shops and restaurants. The Kusrustic is designed to reduce the noise level and is an effective solution for sound absorption while bringing down the reverberation time for noise in the home.

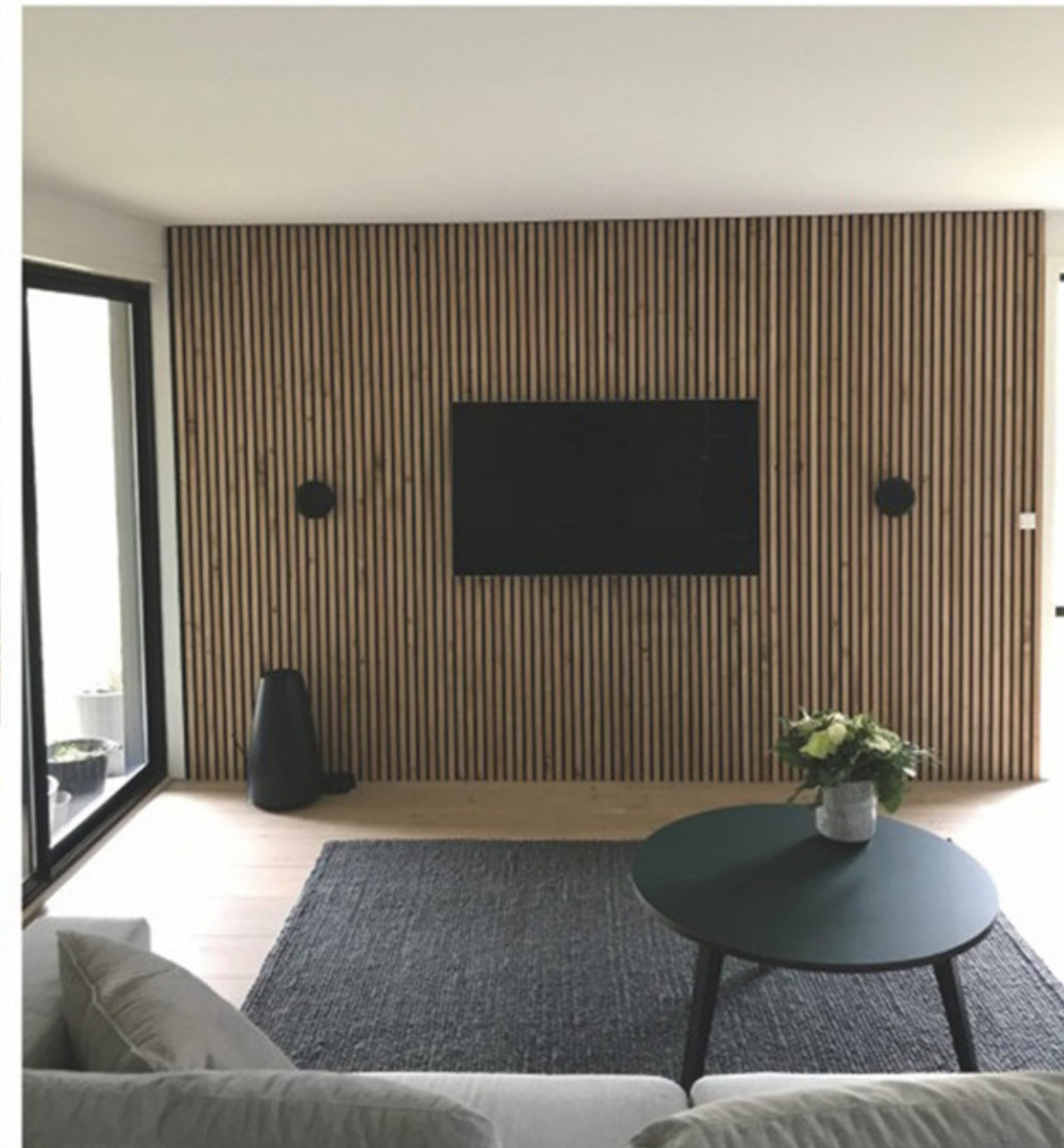


Specifications

Size
2400*600*27mm
or customized

Material
Kingkus standard panel
E0 MDF/ B1 MDF/ Black MDF

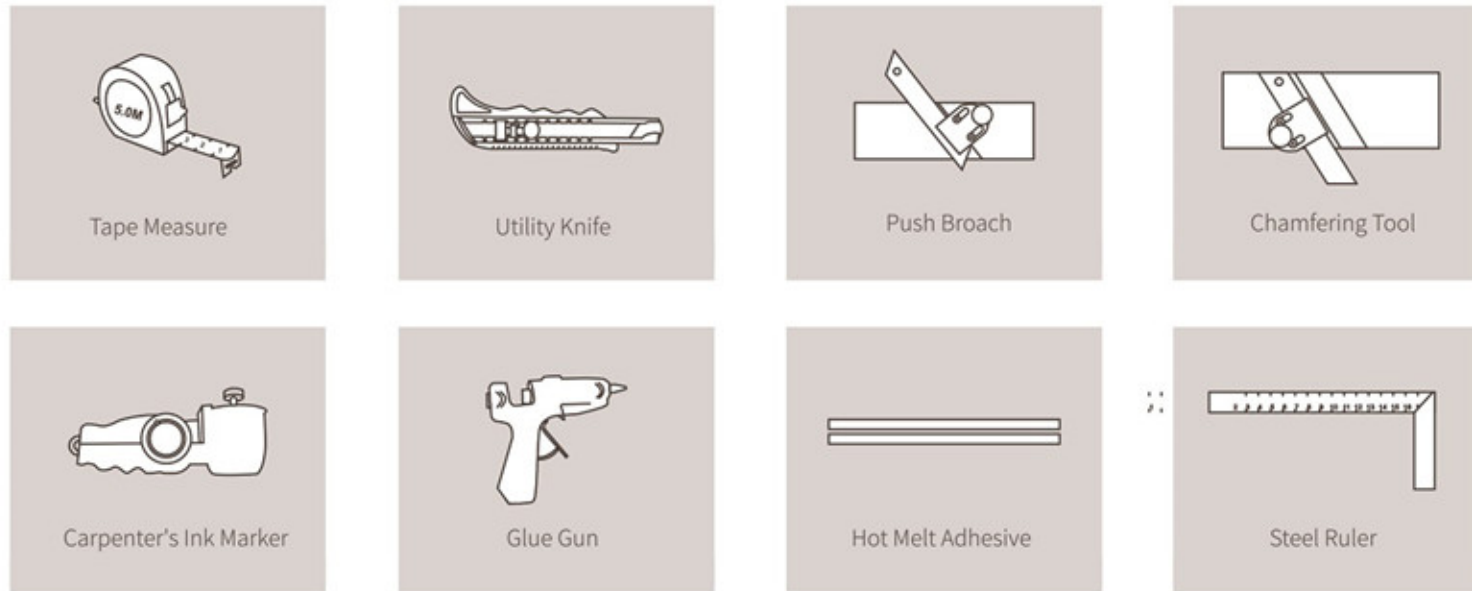
Finish
Veneer/ Melamine/ HPL/ Painting



INSTALLATION

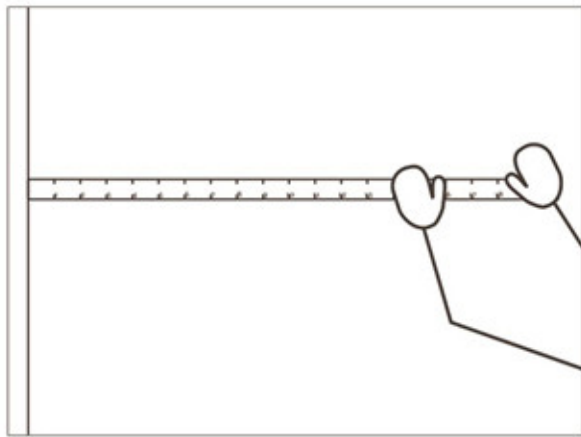
PLAIN POLYESTER FIBER ACOUSTIC PANEL

Tools Preparation

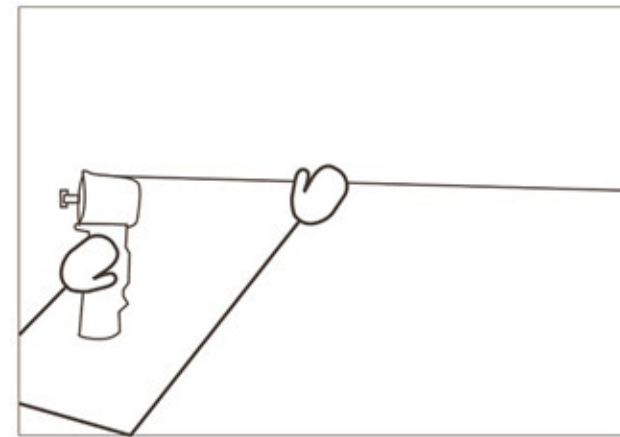


Clean Wall Surface and Mark

1. Leveling and measuring

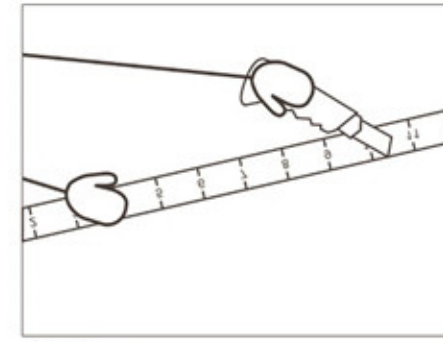


2. Lightly mark wall to indicate level hanging position

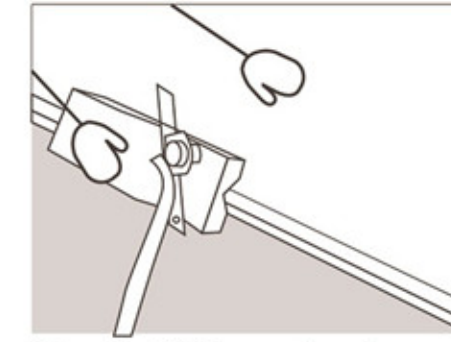


Cutting

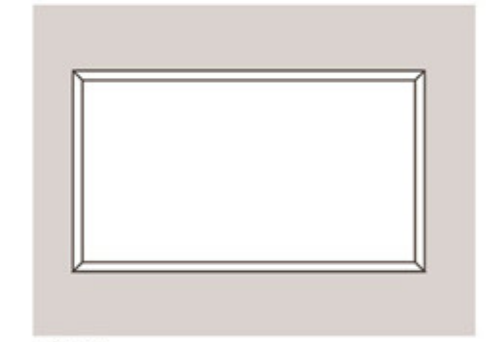
1. Chamfering



Cutting



Chamfer 45° degree bevel

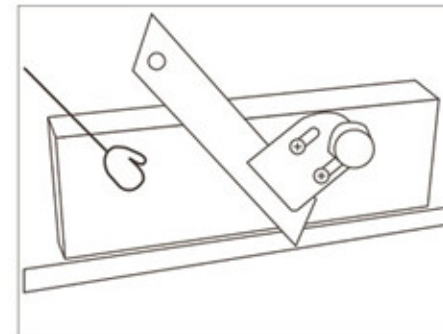


Finish

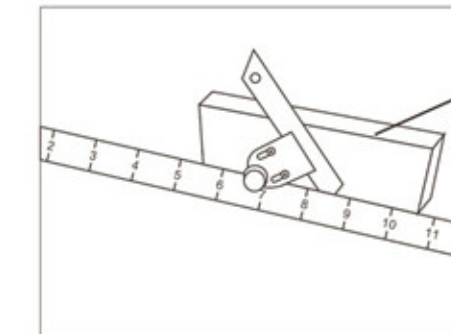
Caution

Recommend rigid steel ruler if cut by hand Recommend utility knife to avoid rough edges of the panel while cutting.

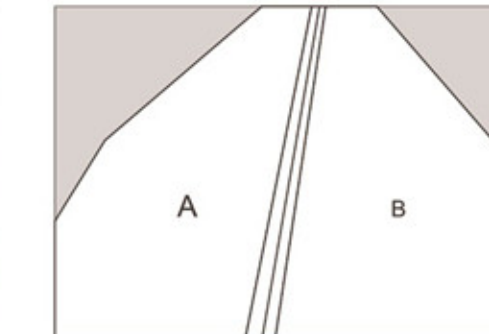
2. Internal and external corners processing



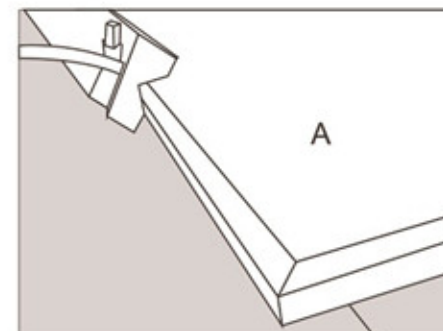
Adjust the height of the knife



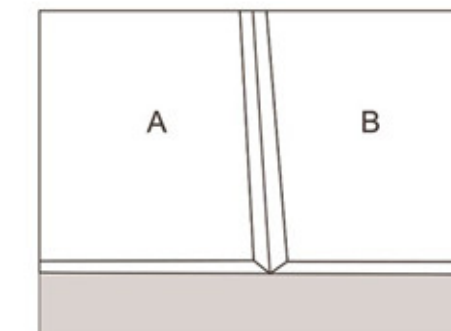
Cut 4/5 depth of the panel



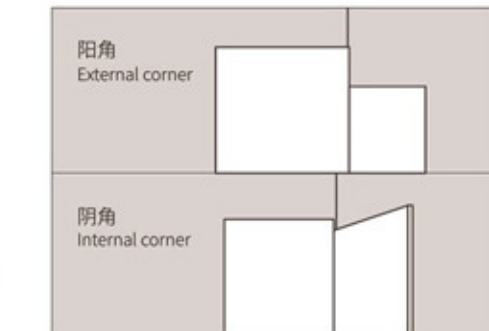
After cutting



Chamfer 45° bevel edge for side A

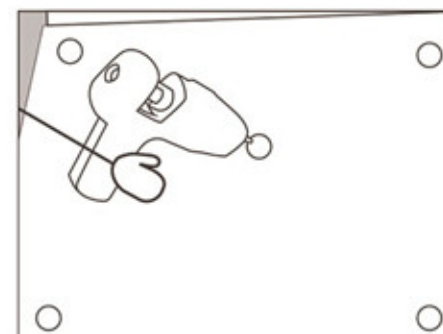


Same as side B



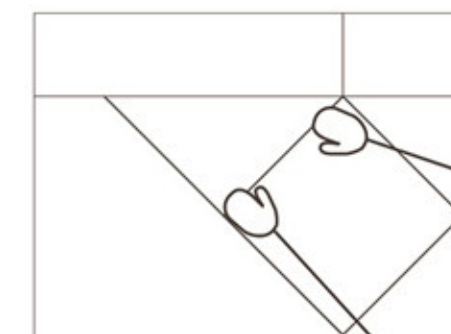
After chamfering

3. Apply adhesive

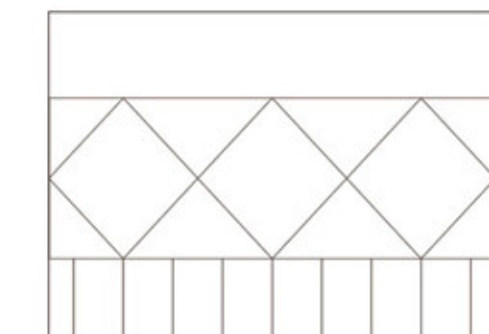


Apply adhesive to the position

4. Installation



Adhesiving as the mark on wall



Finish

Caution

Adhesive: white latex, general chloroprene glue, hot melt adhesive are suggested according to different wall surface.

INSTALLATION

3D POLYESTER FIBER ACOUSTIC PANEL

Tools Preparation

Hot melt adhesive stick, Advantages: strong adhesion, instant firm. Disadvantages: No toughness, easy to peel off by external forces



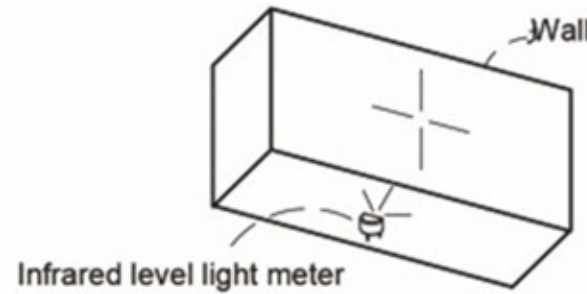
Glass adhesive, Advantages: sticky, tough, dry and not easy to peel off. Disadvantages: Firm time is relatively long and is not susceptible to movement by external forces until dry.



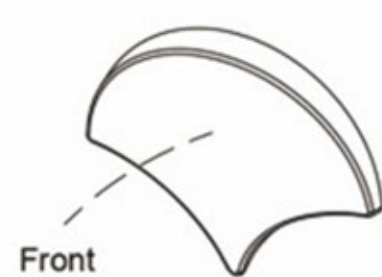
Hot melt adhesive and glass glue, it is recommended to use together. The four blocks first hit with the glass glue, then use the hot melt glue, and quickly stick to the position after the Glue.

Installation

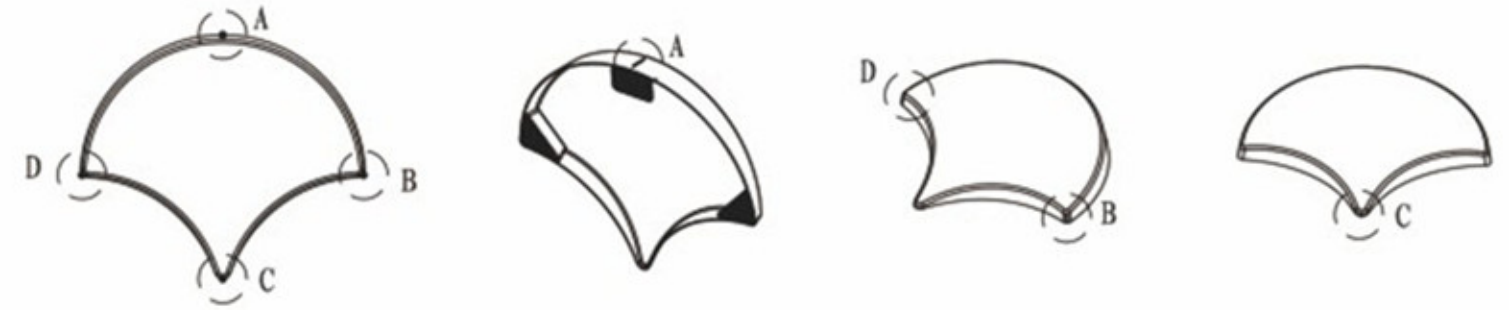
- Using infrared level light meter, first of all, Please install one pcs of 3D on the wall, Fix the center position



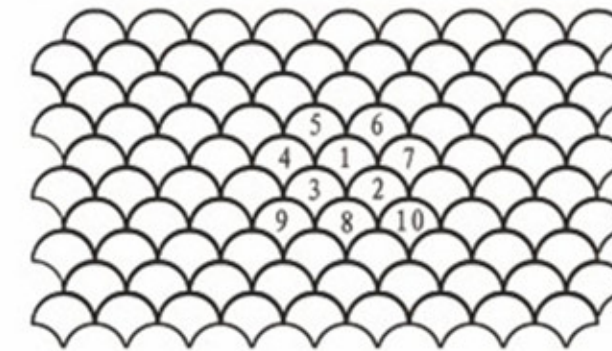
- Fix the gasket or PVC clips on the back, use nails or stick glue



- Four-point positioning



- From the inside out, install one by one



- If the edge is deformed, it can be squeezed with force because the product is kingkus polyester fiber material, which is soft and can be properly



